



US00D499157S

(12) **United States Design Patent** (10) **Patent No.:** **US D499,157 S**  
**Antonious** (45) **Date of Patent:** **\*\* Nov. 30, 2004**

(54) **METALWOOD TYPE GOLF CLUB HEAD**

*Primary Examiner*—Mitchell Siegel  
(74) *Attorney, Agent, or Firm*—Welsh & Flaxman LLC

(76) **Inventor:** **Anthony J. Antonious**, 7738 Calle Facil, Sarasota, FL (US) 34238

(57) **CLAIM**

(\*\*) **Term:** **14 Years**

The ornamental design for a metalwood type golf club head, as shown and described.

(21) **Appl. No.:** **29/197,176**

(22) **Filed:** **Jan. 13, 2004**

**DESCRIPTION**

(51) **LOC (7) Cl.** ..... **21-02**

FIG. 1 is a front elevational view of a metalwood type golf club head showing my new design.

(52) **U.S. Cl.** ..... **D21/752**

FIG. 2 is a perspective view thereof shown from the bottom.

(58) **Field of Search** ..... D21/733, 752;  
473/324–331, 343–346

FIG. 3 is a top plan view thereof.

(56) **References Cited**

FIG. 4 is a rear elevational view thereof.

**U.S. PATENT DOCUMENTS**

FIG. 5 is a toe elevational view thereof.

D339,395 S \* 9/1993 Cameron ..... D21/752

FIG. 6 is a heel elevational view thereof; and,

D479,867 S \* 9/2003 Saliba et al. .... D21/752

FIG. 7 is a bottom perspective view thereof.

D481,090 S \* 10/2003 Antonious ..... D21/752

D481,091 S \* 10/2003 Antonious ..... D21/752

\* cited by examiner

**1 Claim, 4 Drawing Sheets**

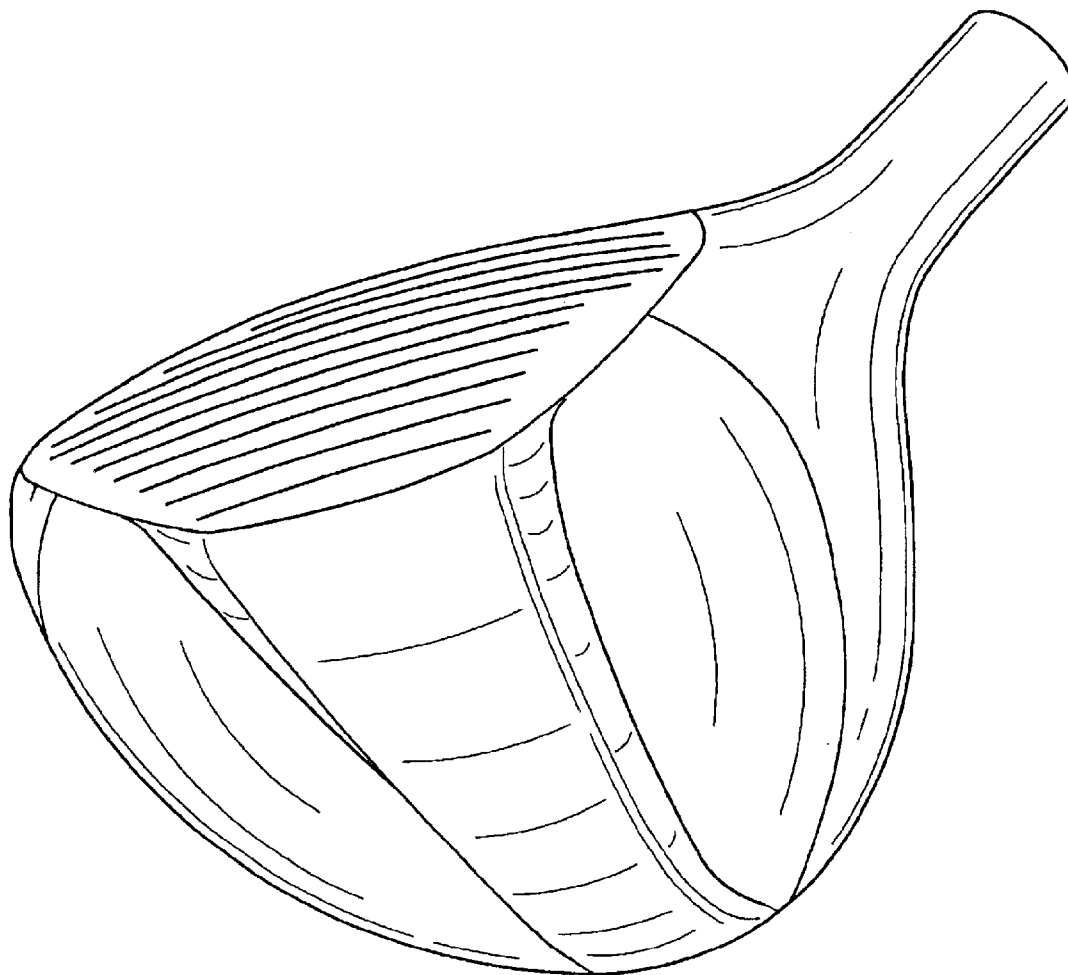


FIG.1

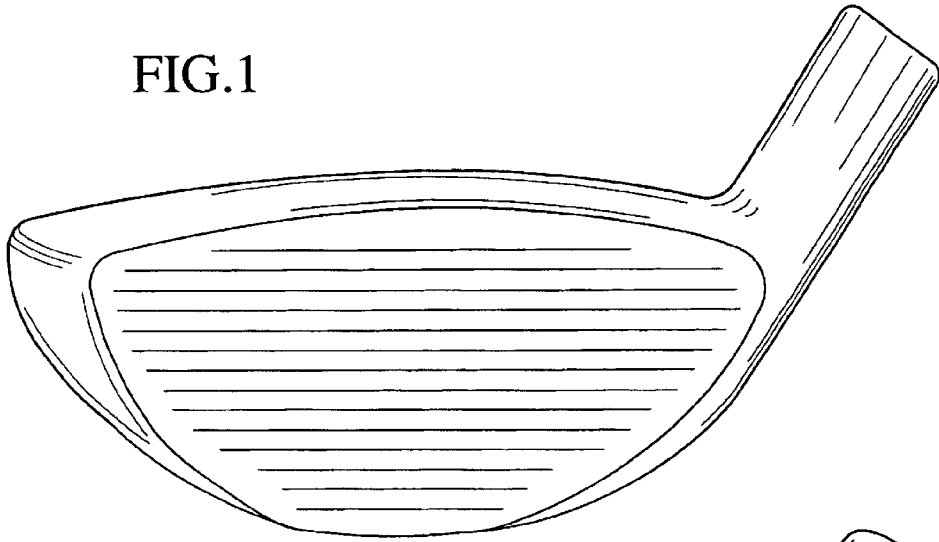


FIG.2

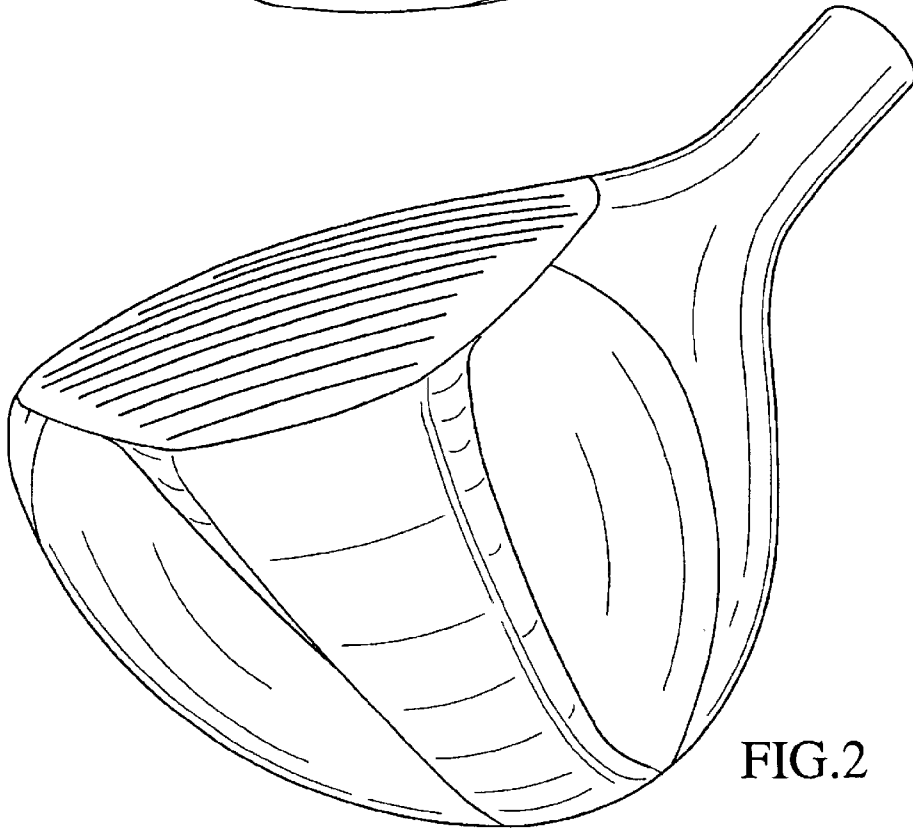


FIG.3

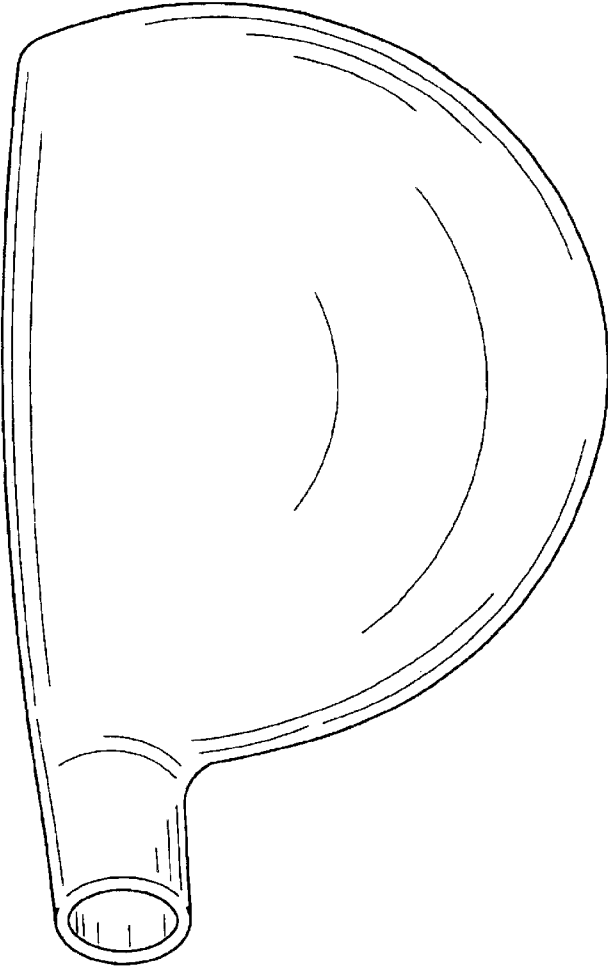


FIG.4

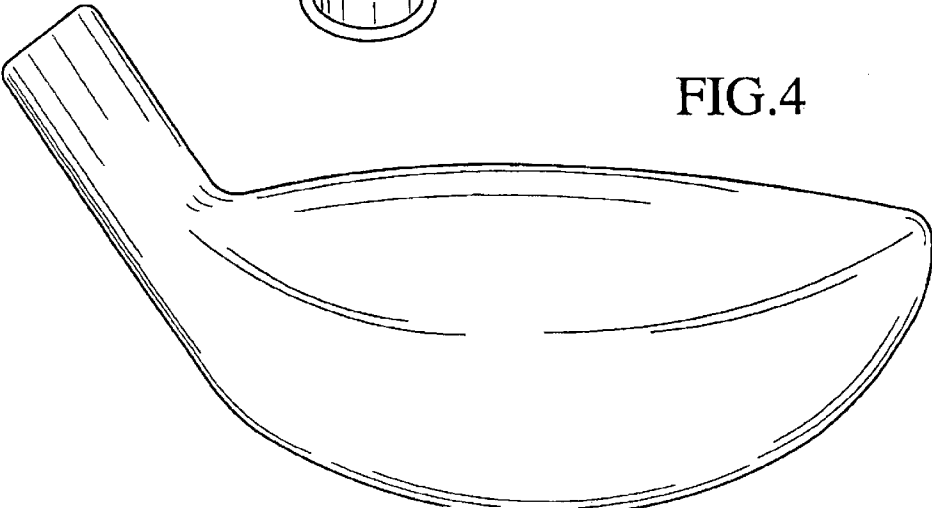


FIG.5

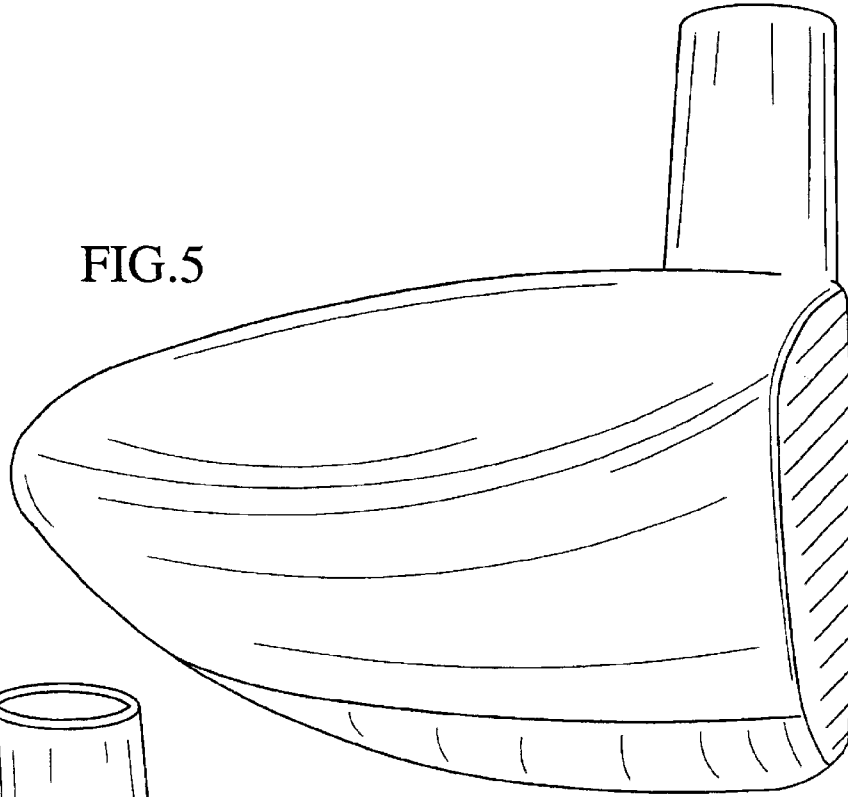
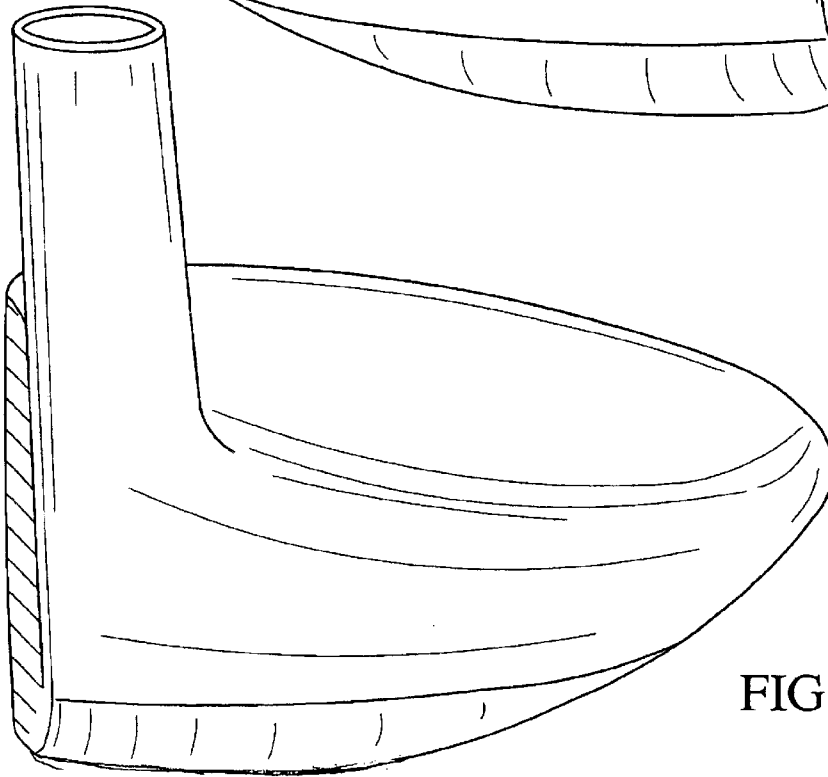


FIG.6



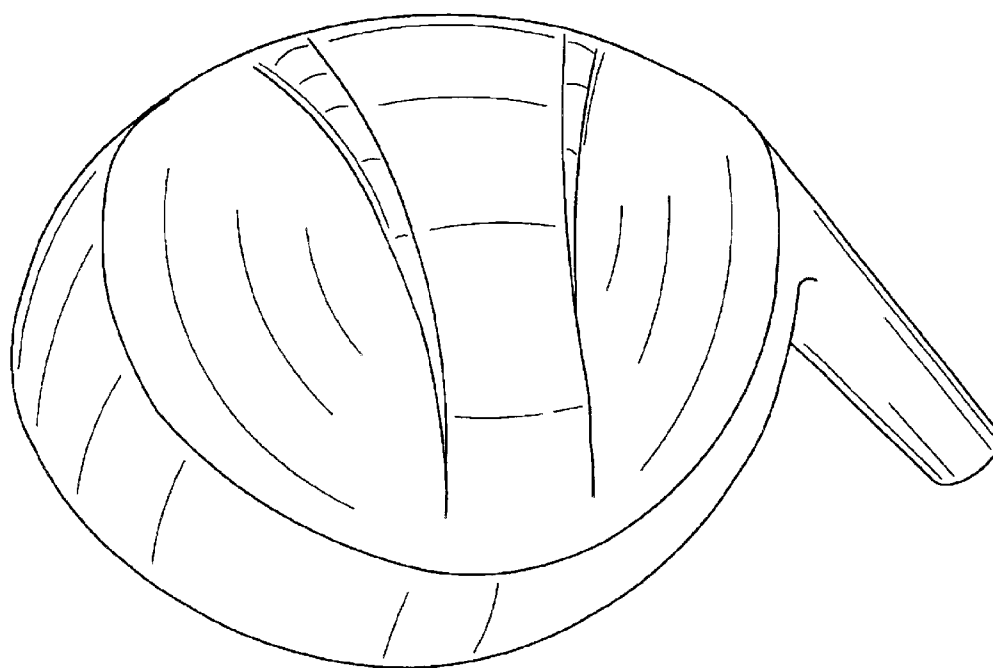


FIG. 7