



US00D596052S

(12) **United States Design Patent**  
**Gruosi**

(10) **Patent No.:** **US D596,052 S**

(45) **Date of Patent:** **\*\* Jul. 14, 2009**

(54) **WATCH**

(75) Inventor: **Fawaz Gruosi**, Prangins (CH)

(73) Assignee: **de Grisogono, S.A.**, Plans-Les Ouates (CH)

(\*\*) Term: **14 Years**

(21) Appl. No.: **29/281,981**

(22) Filed: **Jul. 9, 2007**

(30) **Foreign Application Priority Data**

Jan. 12, 2007 (CH) ..... 133529

(51) **LOC (9) Cl.** ..... **10-02**

(52) **U.S. Cl.** ..... **D10/38**

(58) **Field of Classification Search** ..... D10/125,  
D10/30-39; 368/276, 281, 282  
See application file for complete search history.

(56) **References Cited**

**U.S. PATENT DOCUMENTS**

D351,799 S *	10/1994	Bulgari	.....	D10/39
D355,371 S *	2/1995	Strasser	.....	D10/30
D393,598 S *	4/1998	Perrin et al.	.....	D10/39
D403,599 S *	1/1999	Emmenegger	.....	D10/39
D421,919 S *	3/2000	Bodino	.....	D10/32
D422,223 S *	4/2000	Bodino	.....	D10/32
D430,495 S *	9/2000	Wunderman	.....	D10/32
D434,335 S *	11/2000	Amstutz	.....	D10/32
D439,525 S *	3/2001	Versace	.....	D10/30
D440,514 S *	4/2001	Gruosi	.....	D10/125
D440,886 S *	4/2001	Burgener	.....	D10/32
D441,668 S *	5/2001	Dumas	.....	D10/39
D444,406 S *	7/2001	Hysek	.....	D10/126
D446,461 S *	8/2001	Wunderman	.....	D10/32
D447,425 S *	9/2001	Bodino	.....	D10/32

D452,171 S *	12/2001	Bodino	.....	D10/32
D456,283 S *	4/2002	Baumann	.....	D10/32
D462,280 S *	9/2002	Cheng	.....	D10/39
D462,281 S *	9/2002	Wunderman	.....	D10/39
D475,934 S *	6/2003	Bulgari	.....	D10/30
D487,403 S *	3/2004	Geockeritz et al.	.....	D10/39
D487,404 S *	3/2004	Dubarry	.....	D10/39
D495,613 S *	9/2004	Ellia	.....	D10/39
D507,497 S *	7/2005	Liao	.....	D10/30
D508,211 S *	8/2005	Dreyfuss	.....	D10/32
D514,455 S *	2/2006	Peraldi et al.	.....	D10/38
D519,853 S *	5/2006	Sirmakes	.....	D10/32
D526,215 S *	8/2006	Calvani	.....	D10/38
D526,912 S *	8/2006	Calvani	.....	D10/38
D569,740 S *	5/2008	Bodino	.....	D10/38
D574,261 S *	8/2008	Dreyfuss	.....	D10/32

\* cited by examiner

*Primary Examiner*—Lucy Lieberman

*(74) Attorney, Agent, or Firm*—Venable, Campillo, Logan & Meaney PC

(57) **CLAIM**

The ornamental design for a watch, as shown.

**DESCRIPTION**

FIG. 1 is a front elevation of a watch showing my new design;  
FIG. 2 is a top plan view thereof;  
FIG. 3 is a bottom plan view thereof;  
FIG. 4 is a left side elevation thereof;  
FIG. 5 is a rear elevation thereof;  
FIG. 6 is a right side elevation thereof; and,  
FIG. 7 is a front, right side and bottom perspective view thereof.

**1 Claim, 1 Drawing Sheet**

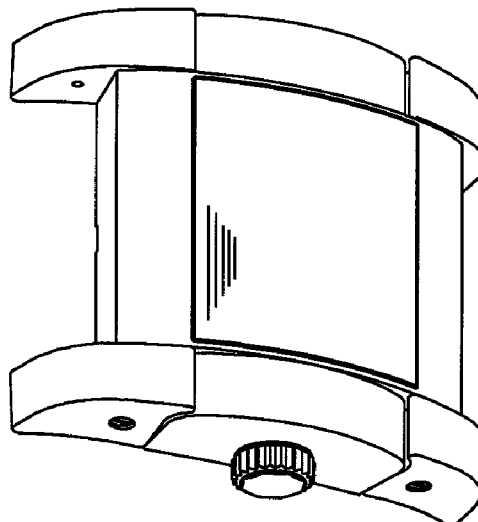


Fig. 2

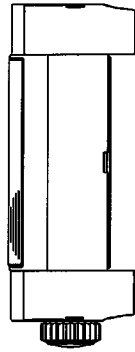


Fig. 1

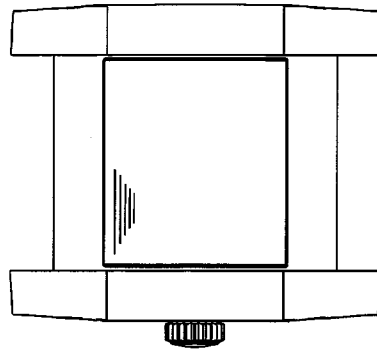


Fig. 3

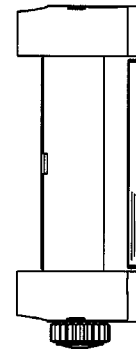


Fig. 7

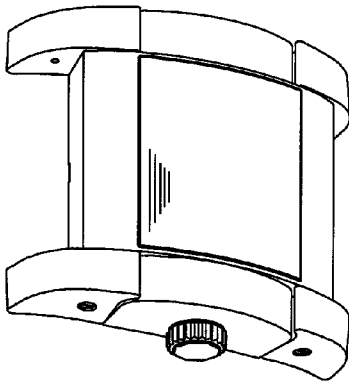


Fig. 4

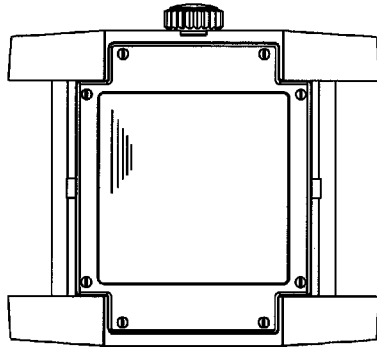


Fig. 5

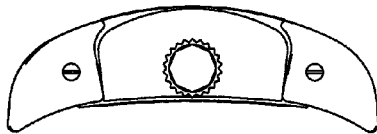


Fig. 6