



US006062045A

United States Patent [19]

West

[11] Patent Number: **6,062,045**

[45] Date of Patent: **May 16, 2000**

[54] WEAR RESISTANCE JEWELRY
[76] Inventor: **Trent W. West**, 48 Rancho Del Mar, Aptos, Calif. 95003

3,669,695	6/1972	Iler	419/12 X
3,719,479	3/1973	Flanagan	75/226
3,776,706	12/1973	Daniels et al.	29/182.5
3,901,717	8/1975	Revaz	106/42
4,090,284	5/1978	Kraft	29/159.3

[21] Appl. No.: **09/149,796**
[22] Filed: **Sep. 8, 1998**

FOREIGN PATENT DOCUMENTS

208883	8/1956	Australia	63/15
6-78814	3/1994	Japan	63/15
2210249	6/1989	United Kingdom	63/15

Related U.S. Application Data

[60] Provisional application No. 60/058,136, Sep. 8, 1997.
 [51] Int. Cl.⁷ **A44C 9/00**
 [52] U.S. Cl. **63/15**; 63/34; D11/26; D11/37; D11/39
 [58] Field of Search 63/3, 15, 33, 34, 63/35, 15.1, 15.2, 15.3, 15.4, 15.45, 15.5, 15.6, 15.65, 15.7; D11/4, 26, 37, 38, 39; 29/896.4, 896.411, 896.412

Primary Examiner—Terry Lee Melius
Assistant Examiner—Andrea Chop
Attorney, Agent, or Firm—Claude A.S. Hamrick; Oppenheimer Wolff & Donnelly

[56] References Cited

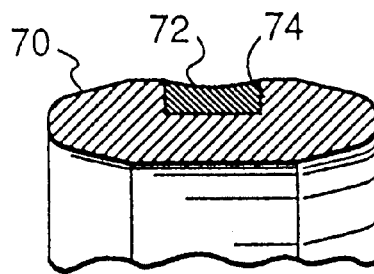
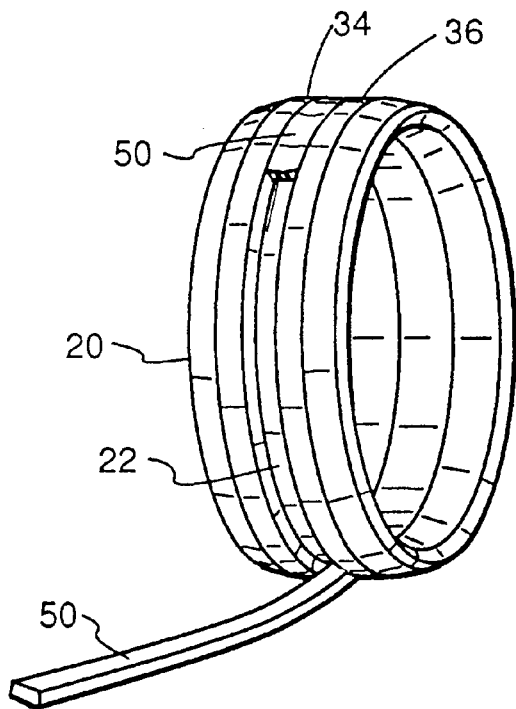
U.S. PATENT DOCUMENTS

1,654,335	12/1927	Lindroth	63/28
1,689,124	10/1928	Fitzgerald	D11/26
2,016,679	10/1935	Mayer	63/3 X
2,027,060	1/1936	Niven et al.	63/15
3,409,416	11/1968	Yates	419/13 X
3,606,766	9/1971	Hill	63/15

[57] ABSTRACT

Wear resistant jewelry apparatus and method of making same wherein articles of jewelry are made from sinterable metal and/or ceramic powder materials compressed into a predetermined configuration and then sintered to form a blank from which a jewelry item may be made and to which softer precious metals, stones, crystals or other materials suitable for use in jewelry may be affixed. Such items of jewelry may have multiple facets and can be fabricated using various disclosed techniques and various combinations of materials.

3 Claims, 5 Drawing Sheets



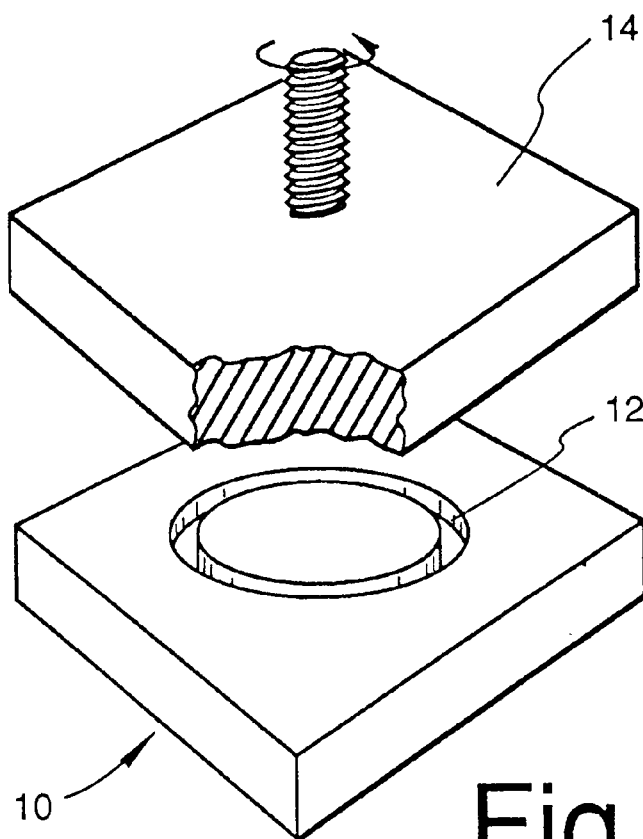


Fig. 1

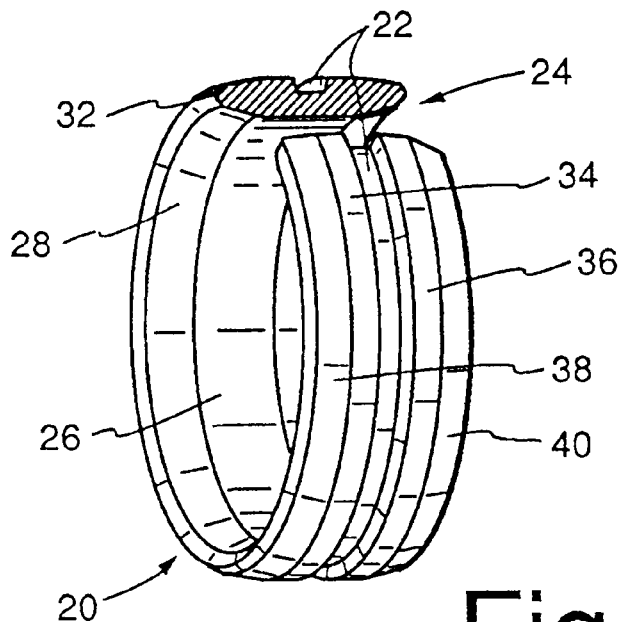


Fig. 2

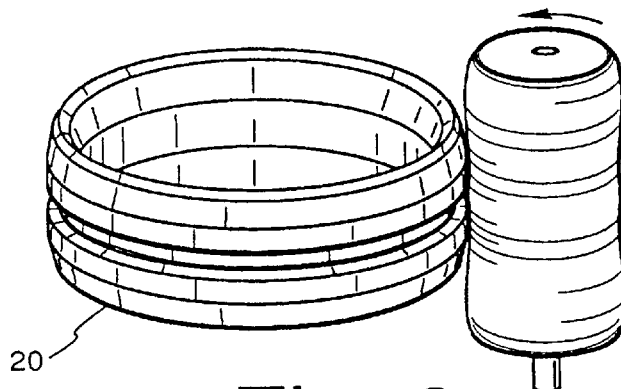


Fig. 3

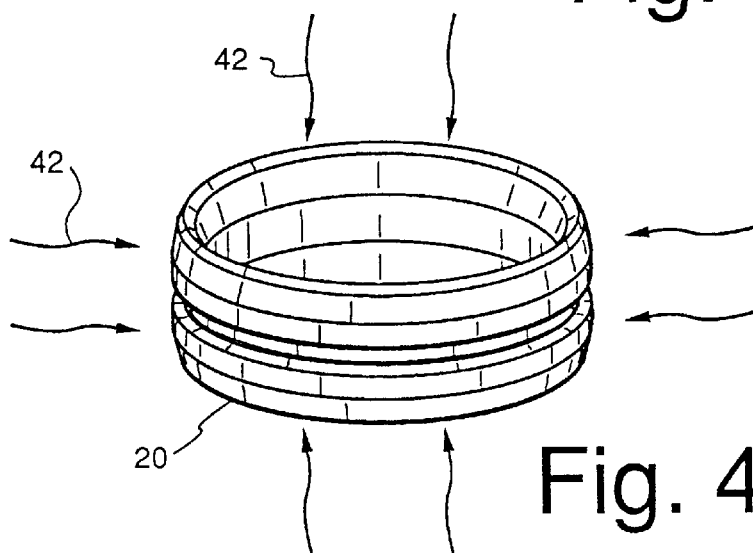


Fig. 4

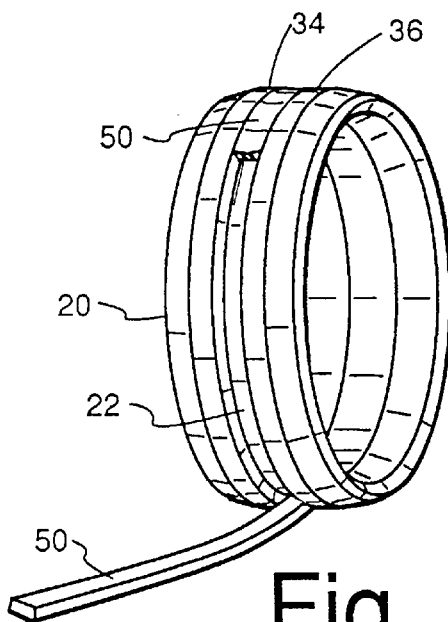


Fig. 5

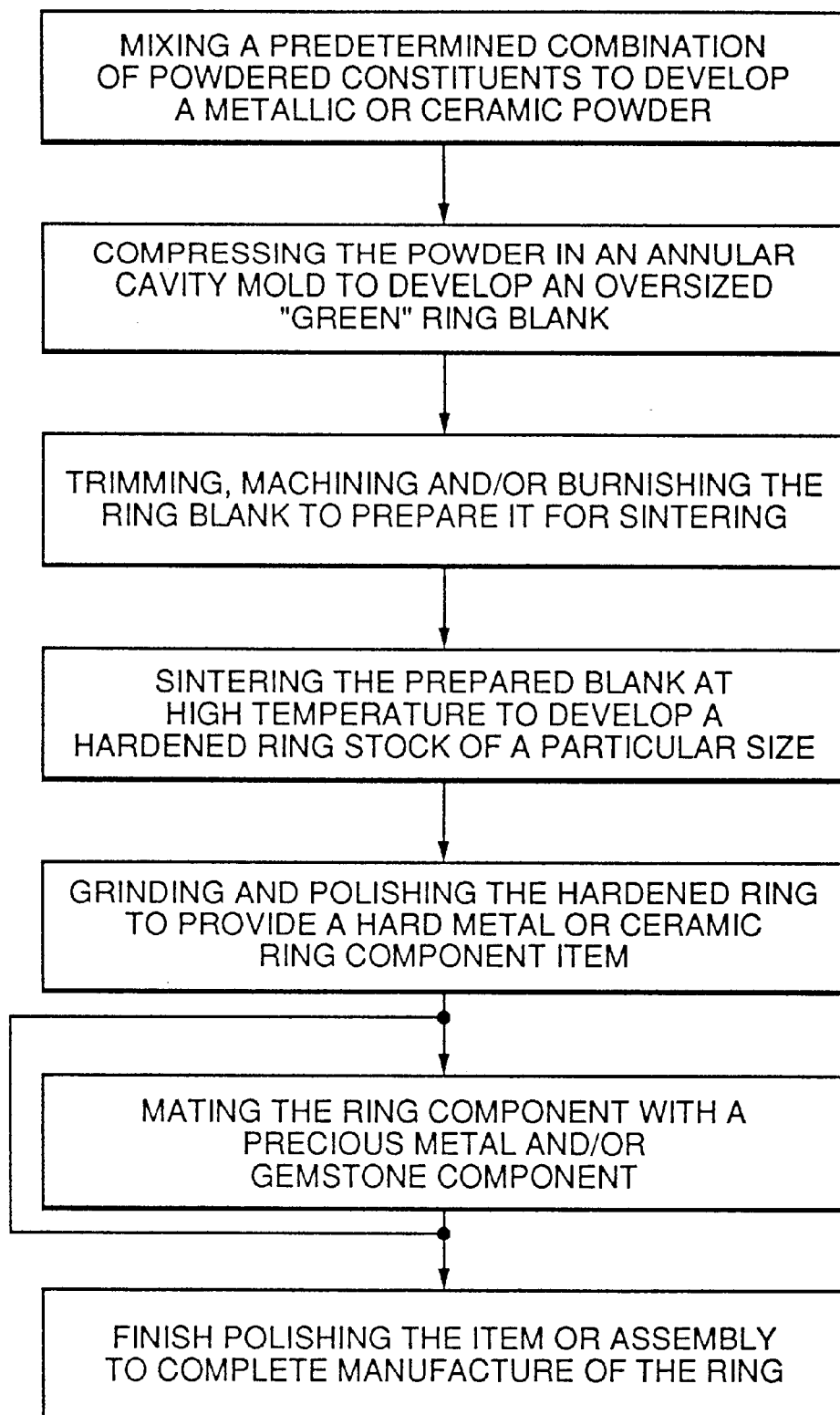


Fig. 6

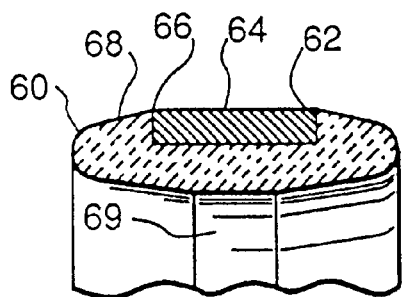


Fig. 7

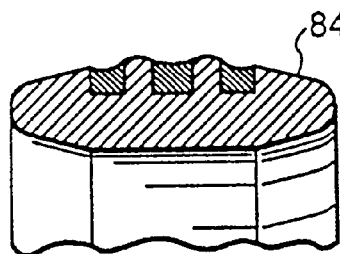


Fig. 11

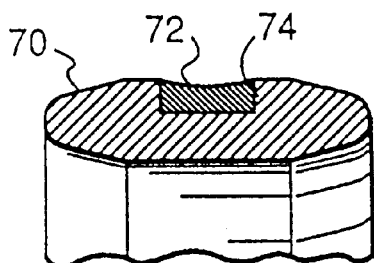


Fig. 8

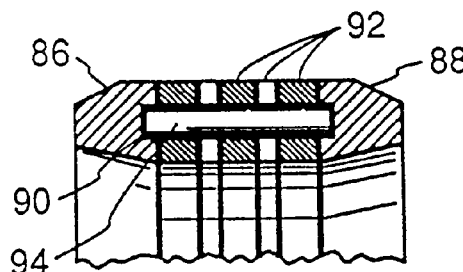


Fig. 12

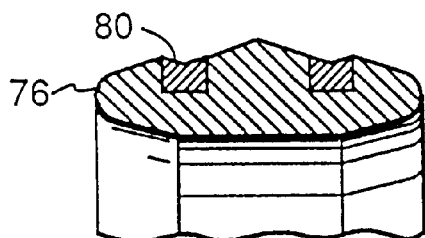


Fig. 9

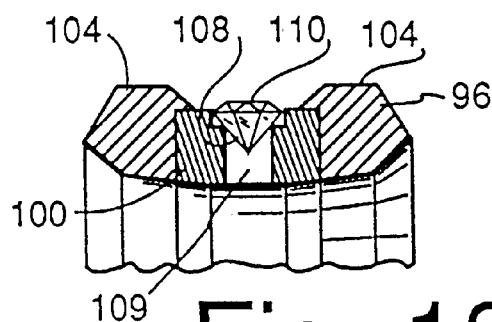


Fig. 13

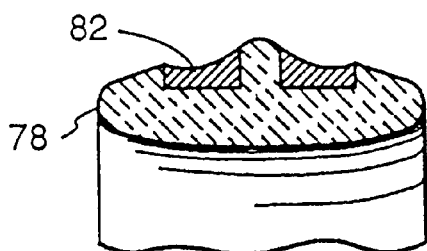


Fig. 10

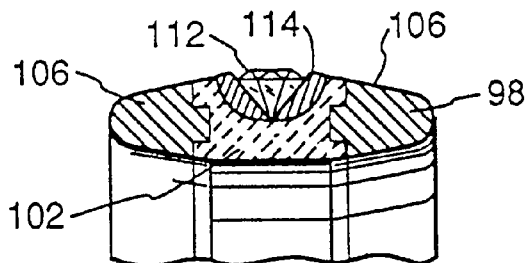


Fig. 14

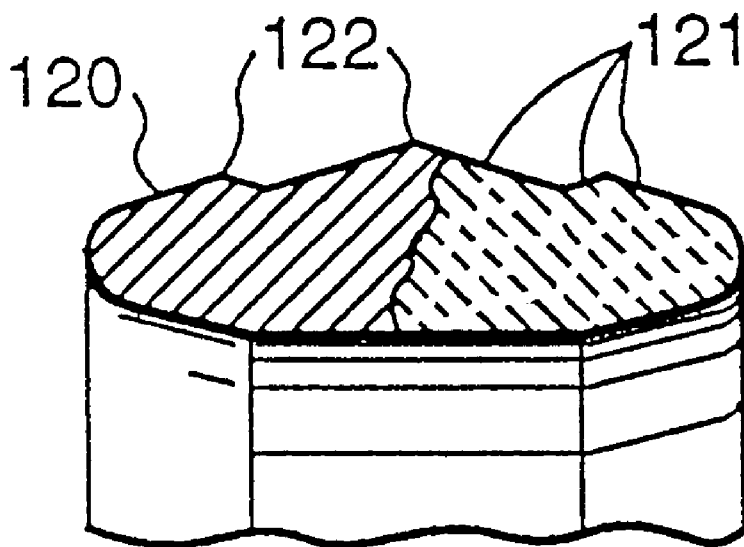


Fig. 15

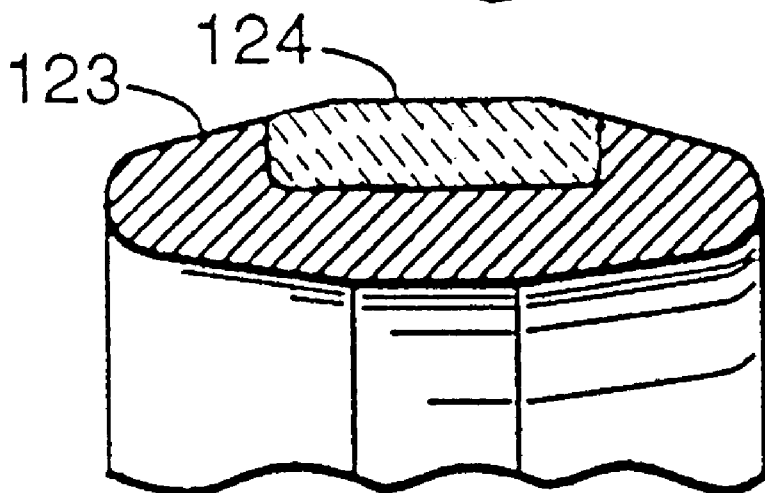


Fig. 16

WEAR RESISTANCE JEWELRY

RELATED APPLICATION

This application claims the benefit of the priority date of earlier filed U.S. Provisional Patent Application. Ser. No. 60/058,136, filed Sep. 8, 1997 incorporated herein by reference.

BACKGROUND OF THE INVENTION

1. Field of the Invention

The present invention relates generally to jewelry items such as finger rings, bracelets, earrings, body jewelry and the like, and more particularly to novel jewelry apparatus and methods of making same out of "hard" metals and/or ceramic materials either alone or in combination with precious metals and jewels such that the hardened materials protect the softer precious metals and jewels from edge and detail wear.

2. Background of the Invention

Jewelry has for centuries been made of soft materials such as gold, silver, platinum and other soft materials, because such metals were malleable, castable, forgeable, moldable or otherwise formable. However, whereas such materials are relatively easy to mold, shape and polish, they are equally subject to wear, scratching and other damage detracting from their longevity appearance and value, i.e., wearing down of edges to a smooth and rounded state.

More recently, science has produced other materials including tungsten, cemented carbide and high tech ceramics that are much harder than the previously mentioned precious metals, and once formed, are virtually indestructible when used in a normal jewelry wearing environment. The problem with such materials is that because of their hardness, they are very difficult to shape, and once formed, require special machining and/or grinding tools to alter their configuration and appearance. Accordingly, with the exception of articulated watch bands or housings for timepieces of the type made by Rado Watch Co. Ltd. of Switzerland, such materials have historically not been used for articles of jewelry of the types mentioned above. However, I have recently discovered that through the use of powder metallurgy and sintering processes, such materials can be manufactured and used to provide faceted designs that were not heretofore practiced. Furthermore, such materials can be used to enhance and protect precious metals and gemstones in this jewelry setting.

In the process of fabricating parts from powdered metals, the most important step is the one involving the welding together of the metallic powder to form a solid which will yield the proper shape and the properties required of the finished part. Although a good weld cannot be made between metals at room temperature by pressure alone, when the metal particles are relatively fine and plastic, a welding may occur that is satisfactory from the viewpoint of handling, although little or no strength will be developed. Under pressure, at room temperature, metal powders that are plastic and relatively free from oxide films, may be compacted to form a solid of the desired shape having a strength (green strength) that allows the part to be handled. This result is often called cold-welding. The welding under pressure of the metal particles in order form a solid blank of the shape desired, requires the use of pressures varying from 5 to 100 tons/in². Relatively light loads are used for the molding of the softer and more plastic metals, while pressures approaching 100 tons/in² are necessary when maximum density is

needed and when pressing relatively hard and fine metal powders such as those used in accordance with the present invention.

Commercial pressing is done in a variety of presses which may be of the single mechanical punch-press type or the double—action type of machine that allows pressing from two directions by moving upper and lower punches synchronized by means of cams. These machines also incorporate moveable core rods which make it possible to mold parts having long cores, assist in obtaining proper die fills and help in the ejection of the pressed parts.

The molding of small parts at great speeds and at relatively low pressures can be accomplished using the mechanical press. For example, mechanical presses can produce parts at the rate of 300 to 30,000 parts per hour. A satisfactory press should meet certain definite requirements among which are the following: (1) sufficient pressure should be available without excessive deflection of press members; (2) the press must have sufficient depth of fill to make a piece of required heights dependent upon the ratio of loose powder to the compressed volume, this being referred to as the compression ration; (3) a press should be designed with an upper or lower punch for each pressing level required in the finished part, although this may be taken care of by a die design with a shoulder or a spring mounted die which eliminates an extra punch in the press; and (4) a press should be designed to produce the number of parts required. The punches are usually made from an alloy of tungsten carbide or punched steel that can be hardened by oil quenching.

Heating of the cold-welded metal powder is called the "sintering" operation. The function of heat applied to the cold-welded powder is similar to the function of heat during a pressure-welding operation of steel in that it allows more freedom for the atoms and crystals; and it gives them an opportunity to recrystallize and remedy the cold deformation or distortion within the cold pressed part. The heating of any cold-worked or deformed metal will result in recrystallization and grain growth of the crystals or grains within the metal. This action is the same one that allows one to anneal any cold work-hardened metal and also allows one to pressure-weld metals. Therefore, a cold-welded powder will recrystallize upon heating, and upon further heating, the new crystals will grow, thus the crystal grains become larger and fewer.

The sintering temperatures employed for the welding together of cold-pressed powders vary with the compressive loads used, the type of powders, and the strength required of the finished part. Compacts of powders utilized in accordance with the present invention are typically sintered at temperatures ranging from about 1000° C. to in excess of 2000° C. for approximately 30 minutes. When a mixture of different powders is to be sintered after pressing and the individual metal powders in the compact have markedly different melting points, the sintering temperatures used may be above the melting point of one of the component powders. The metal with a low melting point will thus become liquid; however, so long as the essential part or major metal powder is not molten, this practice may be employed. When the solid phase or powder is soluble in the liquid metal a marked delusion of the solid metal through the liquid phase may occur which will develop a good union between the particles and result in a high density.

Most cold-pressed and metal ceramic powders shrink during the sintering operation. In general factors influencing shrinkage include particle size, pressure used in cold-

welding, sintering temperature and time employed during the sintering operation. Powders that are hard to compress will cold-shrink less during sintering. It is possible to control the amount of shrinkage that occurs. By careful selection of the powder and determination of the correct pressure of cold-forming, it is possible to sinter so as to get minimal volume change. The amount of shrinkage or volume change should be determined so as to allow for this change in the design of the dies used in the process of fabricating a given shape.

The most common types of furnace employed for the sintering of pressed powders is the continuous type. This type of furnace usually contains three zones. The first zone warms the pressed parts, and the protective atmosphere used in the furnaces purges the work of any air or oxygen that may be carried into the furnace by the work or trays. This zone may be cooled by water jackets surrounding the work. The second zone heats the work to the proper sintering temperature. The third zone has a water jacket that allows for rapid cooling of the work and the same protective atmosphere surrounds the work during the cooling cycle.

Protective atmospheres are essential to the successful sintering of pressed powders. The object of such an atmosphere is to protect the pressed powders from oxidation which would prevent the successfully welding together of the particles of metal powder. Also if a reducing protective atmosphere is employed, any oxidation that may be present on the powder particles will be removed and thus aide in the process of welding. A common atmosphere used for the protection and reduction of oxides is hydrogen. Water vapor should be removed from the hydrogen gas by activated alumina dryers or refrigerators before it enters the furnace.

SUMMARY OF THE INVENTION

It is therefore a principal objective of the present invention to provide novel items of jewelry which are substantially immune from wear and ordinary damage suffered by similar prior art jewelry items of this type.

Another object of the present invention is to provide a novel method of combining modern "hard" materials with softer precious metals and jewels such that the hard materials shield and protect the softer materials from such wear and damage.

Still another objective of the present invention is to provide various designs for long-wearing jewelry that present a pleasant and unique appearance to the eye due to the unique reflection characteristics of the materials, facets and finishes used.

Yet another objective of the present invention is to provide a method for making jewelry of the type describe above.

Briefly, articles of jewelry in accordance with the present invention, are made from sinterable metal and/or ceramic materials either alone or in combination with softer precious metals, stones, crystals or other materials suitable for use in jewelry. Such items of jewelry can be fabricated using various techniques and various combinations of materials, the presently preferred embodiments of which are described below.

Products made in accordance with the present invention have the advantage of being long-wearing and virtually indestructible while in normal use.

Another advantage of the present invention is that articles of jewelry made in accordance therewith, maintain their luster for life and do not require frequent polishing.

Still another advantage of the present invention is that articles of jewelry made in accordance with the methods described are not subject to normal wear and thus, maintain their design details and value indefinitely.

Yet another advantage of the present invention is that numerous shapes and configurations of rings, earrings, bracelets and the like can be made using a variety of combinations of materials and colors of materials.

These and other objects and advantages of the present invention will no doubt become apparent to those skilled in the art after having read the following detailed description of the preferred embodiments illustrated in the several figures of the drawings.

IN THE DRAWING

FIG. 1 is a diagram schematically illustrating a press mold of a type used to make jewelry articles in accordance with the present invention;

FIG. 2 is a partially broken perspective view illustrating details of one form of a molded ring component in accordance with the present invention;

FIG. 3 is a perspective view illustrating one step in the preparation of a ring component in accordance with the present invention;

FIG. 4 is an illustration depicting a sintering step in accordance with the present invention;

FIG. 5 is a perspective view illustrating one method of combining a precious metal component with a hard metal and/or ceramic component in accordance with the present invention;

FIG. 6 is a flow chart illustrating steps followed to make jewelry in accordance with one embodiment of the present invention;

FIGS. 7-14 are partial cross-sections taken through various embodiments illustrating alternative forms of rings made in accordance with the present invention;

FIG. 15 illustrates a unitary multifaceted hard metal/ceramic ring; and

FIG. 16 depicts a precious metal ring having a hard metal/ceramic band embedded therein to provide a protective outer wear surface.

DETAILED DESCRIPTION OF THE PREFERRED EMBODIMENTS

Referring now to FIG. 1 of the drawing, a compressive mold is depicted at 10 including an annular cavity 12 generally illustrated and configured to receive a quantity of powdered, hard metal or high tech ceramic material that can be compressed and formed into an oversized "green" ring blank by the application of compressive forces applied by a mating press member 14. The mold 10 may be made in any configuration suitable for forming a particular annular or other shape, and the illustrated cavity is sized to as to produce an annular blank that, following shrinkage during subsequent processing, will have a predetermined size and configuration. Numerous types of powdered materials can be used in accordance with the present invention. One such powder includes the following constituents:

Nickel	2% to 10%
Cobalt	1% to 2%

-continued

Chromium or Chromium Carbide	0.5% to 3%
Tungsten or Tungsten Carbide	balance

Whereas in this example, Nickel and Cobalt are used as binder materials, other materials such as palladium, platinum, ruthenium, iridium and gold or alloys thereof, may also be used.

A ceramic composition might include:

ZIRCONIA (wt. %)	
ZrO ₂ + HfO ₂	99%
SiO ₂	0.20%
TiO ₂	0.15%
Fe ₂ O ₃	0.02%
SO ₃	0.25%
LOI @ 1400°	0.30%

Whereas in this example, ZrO₂+HfO₂ is used as the matrix material, silicon nitrides, silicon carbides and other similar materials may be used. In addition, various casting agents may be included in the binding materials.

In FIG. 2 of the drawing, one configuration of a ring is illustrated at 20 and includes an annular external groove 22 formed in the outer surface thereof. As illustrated in the cross-section shown in broken section at 24, the central-most portion 26 of the internal surface of the blank 20 is cylindrical with the outboard portions or facets 28 being angled relative thereto at angles typically in the range of from 1° to 30° relative to surface 26. The axial extremes of the cross-section of this embodiment are generally semicircular, as illustrated at 32, and the outer surface is configured to have cylindrical flats 34 and 36 on opposite sides of groove 22, and angled or frusto-conical shaped facets or flats 38 and 40 on the opposite sides thereof. As an alternative, the facets 38 and 40 may be configured to have multiple facet surfaces.

Once removed from the mold, the blank 20 is shaped by machinery filing, sanding, trimming or other appropriate techniques and may be burnished as illustrated in FIG. 3 to provide a smooth or textured surface, and made ready for sintering. Once prepared, the blank 20 is inserted into a sintering oven and the temperature raised as suggested by the arrows 42, to a suitable sintering temperature for a predetermined period of time during which the blank becomes hardened and shrinks to a size appreciably smaller than the size of the original green blank. However, as indicated above, the mold was sized taking into consideration the anticipated subsequent shrinkage and as a result, the ring stock after sintering, has a predetermined size. This, of course, implies that a different mold will be required for each ring size. As an alternative, it will be understood that the blank may be pressed to have a tubular configuration from which multiple rings may be severed and machined to appropriate individual sizes.

Following the sintering operation, the ring stock can be ground and finish polished, and when appropriate, have a selected precious metal and/or other material installed in the groove 22 as suggested by the laying in of the soft metal strip 50 depicted in FIG. 5 of the drawings. Once the metal strip 50 is suitably installed using methods well known to jewelers, the assembly can be finish polished and made ready for market. It will, of course, be appreciated that other

forms of materials can be inlaid into the groove 22. For example, preformed metal, stone, ceramic, shell or other segments could be glued or otherwise affixed to the ring. Preferably, such items will be slightly recessed below the surfaces of the facets 34 and 36 so as to be protected thereby.

Turning now to FIG. 6, which is a flow diagram illustrating the various steps followed in a preferred method of making a ring in accordance with the present invention. It will be noted that once a suitable press and mold has been prepared, the first step in making a ring or other object is to mix a predetermined combination of powdered metal or ceramic constituents to develop a sinterable metallic or ceramic powder. Once properly measured and disposed within the mold cavity, the powder will be compressed by the mold to develop an oversized "green" ring blank that, although somewhat fragile, is stable enough to allow certain processing to be accomplished prior to sintering. For example, mold lines may be trimmed and smoothed, surfaces may be sanded or textured, facets may be smoothed etc. But once properly prepared, the next step is to load the blank at room temperature into a non-atmospheric sintering chamber and raise the temperature thereof to controlled temperatures, typically varying between 1000° C. to 2000° C. and then slowly cooled back to atmospheric temperature. Once cooled, the hardened ring stock or other blank configuration can be ground and polished to provide the hard metal or ceramic ring component. At this point, precious metal components, jewels and other decoration components may be affixed to the hard metal or ceramic part. One way to affix precious metal to the part is to use a brazing process and provide the components in varied shapes of wire sheet tubing or segments of other material that can be fabricated or forged into appropriate configurations and fit into the mating groove or channel 22. Fluxed or flux free gold or silver soldered compounds varying in color and purity between 50% and 99% purity can be applied on or around desired mating surfaces of the hard material as well as the precious metal or other materials after mechanically binding the parts together with round or flat wire or heat resistant custom fixtures. Prepared fixtures with parts are then loaded at room temperature into a non-atmospheric chamber and heated to controlled temperatures varying between 1000° to 2000° C. and then allowed to cool down slowly to atmospheric temperature. This brazing operation will not interfere with the previously configured hard metal or ceramic components since their melting temperatures are substantially higher.

Another method of mating the precious metal or other components to the hardened component is to engineer the hardened component with various features such as holes, notches, slots, etc., such that various pre-shaped precious metal or other materials in mating configurations may be snapped or pressed, swaged or burnished into the hardened substructure. The resulting mechanical fit will hold the components together.

Still another method of mating the precious metal or other components to the hardened component is to bond them to the hardened part by means of one or two part hardening resin compounds that are heat and room temperature cured.

Also precious metals can be directly cast into cavities in hard metal or ceramic articles using lost wax techniques widely used in jewelry making.

But notwithstanding the process used to mate the components together, once the several components are in fact combined, the entire assembly can be finished and polished to complete manufacture of the ring or other article of jewelry.

Turning now to FIGS. 7 through 14, various cross-sectional configurations of rings are depicted illustrating combinations of flats, facets, materials, inserts and component relationships. More specifically, in FIG. 7, a sintered metal part 60 is shown having a wide annular groove 62 formed in its outer surface and filled with a softer precious metal or other material 64. The top surface of material 64 may be flush with the top edges 66 of the facets 68 or may be recessed there beneath to enhance the protective function of the hardened metal part 60. This ring might have an axial length of 2–14 mm, a wall thickness of 1–2.8 mm and have facets at angles of from about 2° to 40° relative to the cylindrical surface 69.

In FIG. 8, a similar ring design is depicted, but in this case, utilizing a ceramic material as the hard surfaced part 70 with the sculpted precious metal part 72 being mounted within a groove 74 formed in the outer perimeter of the hard part 70. Note the different surface effects that can be achieved by increasing the angular relationship of the various facets and by depressing or recessing the surface of the insert 72.

FIGS. 9–10 depict two-groove embodiments of both sintered metal and ceramic substructures at 76 and 78 respectively, each having precious metal or other inserts 80 and 82 formed in the annular grooves thereof, with the exterior surfaces of the inserts of the rings being treated differently to achieve substantially different visual effects. Note, that in either case, the “hard part” protects the softer precious metal part. Note that in the FIG. 10 embodiment, the internal surface 83 is shown aligned rather than faceted. Other embodiments may be treated likewise.

In FIG. 11, a three-groove embodiment is depicted at 84.

FIGS. 12–14 illustrate alternative embodiments in accordance with the present invention, wherein the hard metal or ceramic components are formed by two or more parts that are affixed together. For example, in FIG. 12, complementary annular sintered or ceramic parts 86 and 88 are provided with shallow bores 90 at several points around facing surfaces of the components, and a plurality of annular components 92 made of at least two materials 92 are sandwiched together and bored at intervals matching the bores 90, such that pins 94 may be extended through the bores in the ring components 92 with the ends thereof being extended into the bores 90 of the hardened ring components 86 and 88 to lend mechanical stability to the assembly. The various components 92 would, of course, be epoxied or otherwise bonded together.

In FIGS. 13 and 14, three-part ring assemblies are illustrated at 96 and 98 respectively, with each being comprised of a central band 100 and 102 respectively, sandwiched between and mechanically bonded to a pair of exterior rings 104 and 105 respectively. In the case of the ring assembly illustrated in FIG. 13, for example, the exterior components 104 might be of sintered metal or of ceramic while the interior band 100 might be of a precious metal, or even of a ceramic or sintered material. In the illustrated configuration, pockets 108 and azure holes 109 are formed in the interior band to receive gemstones 110 which are appropriately secured therein.

In the embodiment of FIG. 14, the interior band is depicted as being of a ceramic material sandwiched between and mechanically interlocked to exterior bands 106 made of sintered material or even precious metal, while the gemstones 112 are set in a precious metal 114.

FIG. 15 depicts at 120 a multifaceted unitary ring configuration made of a single, hard metal or ceramic substance.

The six highly polished facets 121 on the outer surface of the ring create a unique design and visual impression heretofore not possible using prior art rings making techniques and technologies, because if such configuration had been made, the peaks 122 would have quickly been eroded, destroying the esthetic appearance of the ring.

In FIG. 16 of the drawing, still another alternative embodiment is depicted wherein a ring made primarily of precious metal 123 includes an annular insert 124 embedded therein and extending above the uppermost surface of the precious metal component to provide a protective and esthetically pleasing insert.

Alternatively, one or more holes or cavities may be provided around the ring for receiving precious metals and/or set stones.

The principal concept of this invention is the provision of an ultra durable hard metal or high tech ceramic type of jewelry that may or may not incorporate precious metals and/or precious gem stones. The invention also provides a unique jewelry manufacturing process that combines hard metals with precious metals in a manner such that the precious metals are flush or recessed slightly below the outer most surfaces of the hard metals over the outer wear surfaces to achieve maximum abrasion and corrosion resistance. This is not to preclude the use of protruding precious metal or gemstone components, but in such cases the protruding components would not be protected by the harder materials. The invention involves the provision of jewelry items made from super hard metals such as tungsten and cemented carbide and high tech ceramics of various colors processed into a predetermined shape then sintered in a furnace and ground and polished into finished form. These items may be shaped into concentric circular ring shapes of various sizes and profiles or individual parts may be ground into shapes that can be bonded to a precious metal substrate so as to protect the softer substrate. The hard metal circular designs encompass all types of profiles and cross-sectional configurations for rings, earrings and bracelets. Hard metal items may be processed with various sized and shaped openings distributed around the perimeter, with other objects of precious metal gem stones or the like secured into the various openings for cosmetic purposes. Gem stones set in precious metal may be secured into said openings for protection from scratching and daily wear.

Another configuration similar to that depicted in FIG. 11 might include several concentric rings of varying widths and thickness of precious metal or other material sandwiched between concentric rings of varying widths, thicknesses and profiles of hard metal. The components are assembled and bonded together with the softer precious metal surfaces being recessed below the adjacent surfaces of the hard metal, thereby causing all of the outer wear surfaces to be protected by the super hard metals surfaces.

Annular rings, earrings and bracelets may also be fashioned by combining variations of precious metal bands with the protective hard metal individual parts bonded onto and into slots or grooves or flat areas of the substrate precious metal bands. These hard metal parts will be positioned to give maximum protections to the precious metal parts.

Articles of jewelry may be created using symmetrical or asymmetrical grid-type patterns. Machined hard metal parts of varying shapes and sizes may be assembled and bonded onto or into a precious metal substrate designed where precious metal is recessed for maximum durability.

Articles of jewelry in accordance with the present invention may be made with various types of hard metals and

precious metals where the hard metal is used for both esthetic and structural strength purposes. Hard metal rods of varying shapes and sizes may be used in conjunction with precious metals to create a unique jewelry design having a very high structural strength. Articles of jewelry may be made entirely of hard metal or a combination of hard metal and precious metal where the cosmetic surfaces of the hard metal are ground to have a faceted look. These facets are unique to hard metal configurations in that precious metal is too soft and facet edges formed in such soft metals would wear off readily with normal everyday use.

The present invention has been described above as being comprised of a molded hard metal or ceramic component configured to protect a precious metal or other component; however, it will be appreciated that the invention is equally applicable to a multifaceted, highly polished jewelry item made solely of the hard metal composition or ceramic composition.

Furthermore, the present invention relates to a method of making jewelry wherein a rough molded and sintered part is subsequently machined to produce multiple facets and surfaces that can be highly polished to provide an unusually shiny ring surface that is highly resistant to abrasion, wear and corrosion. As used in this description, the term facet is intended to include both cylindrical and frusto conical surfaces as well as planar or flat surfaces.

Although the invention has been disclosed herein in terms of several preferred embodiments, it is anticipated that after having read the above disclosure, it will become apparent to those skilled in the art that various alterations and modifications could be made. It is therefore my intent that the following claims be interpreted as covering all such alterations and modifications as fall within the true spirit and scope of the invention.

What I claim is:

1. A finger ring comprising:

an annular body having an axis of symmetry and inner and outer circumferences, and made of material selected

from the group consisting of sintered metals and ceramics, said body including:

- a first frusto-conically shaped facet extending around the outer circumference of said body, and forming a first outer surface of said body proximate a first axial extremity thereof;
 - a second frusto-conically shaped facet extending around the outer circumference of said body, and forming a second outer surface of said body proximate a second axial extremity thereof opposite said first axial extremity,
 - a cylindrically shaped third facet extending around the outer circumference of said body, and forming a third outer surface of said body disposed between said first and second facets, said third facet having at least one annular groove formed therein and an outer diameter, a precious metal disposed within said groove, an outer surface of said precious metal lying within the outer diameter of said third surface such that said third surface protects said precious metal from wear,
 - a fourth frusto-conically shaped facet extending around the inner circumference of said body, and forming a first inner surface of said body proximate said first axial extremity, and
 - a fifth frusto-conically shaped facet extending around the inner circumference of said body, and forming a second inner surface-of said body proximate said second axial extremity,
- said first, second, fourth and fifth facets having surface angles within the range of from 1° to 40° relative to said axis of symmetry and being ground and polished to a mirror finish.
- 2. A finger ring as recited in claim 1 wherein said material is at least 80% tungsten carbide.
 - 3. A finger ring as recited in claim 1 wherein said material is at least 80% zirconia.

* * * * *