



US006758003B2

(12) **United States Patent**
Zheng

(10) **Patent No.:** **US 6,758,003 B2**
(45) **Date of Patent:** ***Jul. 6, 2004**

(54) **COLLAPSIBLE STRUCTURES SUPPORTED ON A POLE**

(75) Inventor: **Yu Zheng**, Covina, CA (US)

(73) Assignee: **Patent Category Corp.**, Walnut, CA (US)

(*) Notice: Subject to any disclaimer, the term of this patent is extended or adjusted under 35 U.S.C. 154(b) by 0 days.

This patent is subject to a terminal disclaimer.

(21) Appl. No.: **10/453,962**

(22) Filed: **Jun. 4, 2003**

(65) **Prior Publication Data**

US 2003/0208937 A1 Nov. 13, 2003

Related U.S. Application Data

(63) Continuation of application No. 09/912,896, filed on Jul. 25, 2001, now Pat. No. 6,581,313, which is a continuation of application No. 09/241,295, filed on Feb. 1, 1999, now Pat. No. 6,266,904.

(51) **Int. Cl.**⁷ **G09F 15/00**

(52) **U.S. Cl.** **40/610; 40/604; 160/370.21; 116/173**

(58) **Field of Search** **40/604, 610, 218; 160/370.21, 387, 388; 116/173**

(56) **References Cited**

U.S. PATENT DOCUMENTS

1,579,034 A 3/1926 Roberts 116/173 X

2,072,573 A	3/1937	Vigliotti	116/173
2,688,303 A	9/1954	Leander	40/604 X
3,075,492 A	1/1963	Winfrey	116/173 X
3,089,268 A	5/1963	Frey et al.	40/604
3,239,957 A	3/1966	Snediker	116/173 X
3,266,458 A	8/1966	Ahlquist	116/173
3,287,840 A	11/1966	Keats	116/173 X
3,824,725 A	7/1974	Friedrichsen	40/604
4,312,371 A	1/1982	Koon	
4,709,928 A	12/1987	Willingham	
4,815,784 A	3/1989	Zheng	
5,016,372 A	5/1991	Gold	40/610 X
5,024,262 A	6/1991	Huang	116/370.2
5,024,551 A	6/1991	Hinterholzer	40/604 X
5,301,705 A	4/1994	Zheng	
5,343,887 A	9/1994	Danaher	
5,358,440 A	10/1994	Zheng	
5,632,318 A	5/1997	Wang	160/370.21
5,816,954 A	10/1998	Zheng	
5,927,793 A	7/1999	McGrath, Jr.	116/370.2 X
5,941,265 A	8/1999	Zheng	160/370.21 X
6,003,256 A	12/1999	Leach et al.	40/610

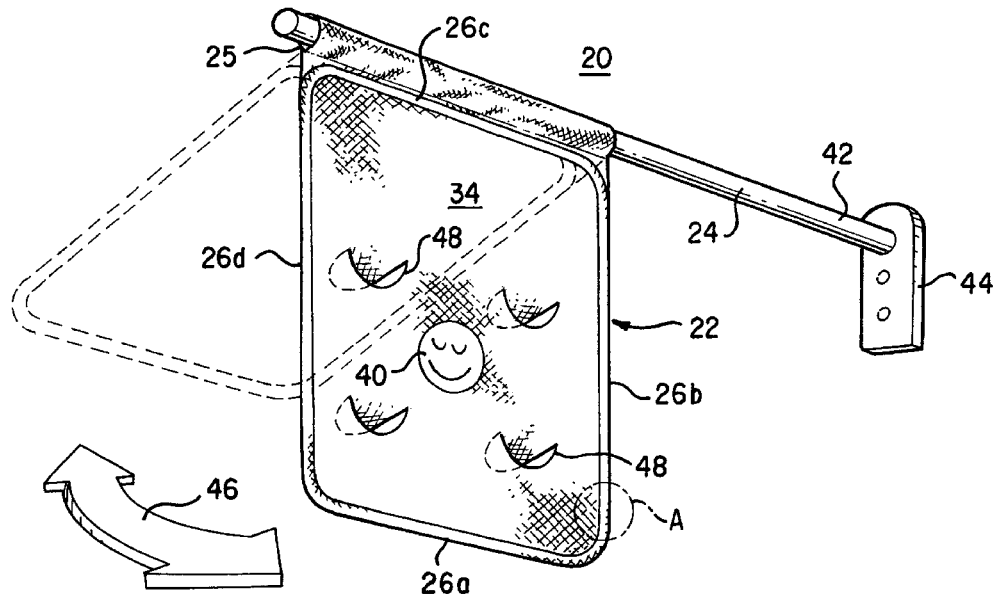
Primary Examiner—Joanne Silbermann

(74) *Attorney, Agent, or Firm*—Raymond Sun

(57) **ABSTRACT**

A collapsible object is provided having a foldable frame member that has a folded and an unfolded orientation, and a material covering portions of the frame member when the frame member is in the unfolded orientation, with the material assuming the unfolded orientation of its associated frame member. A pole coupled to the panel to support the panel.

16 Claims, 10 Drawing Sheets



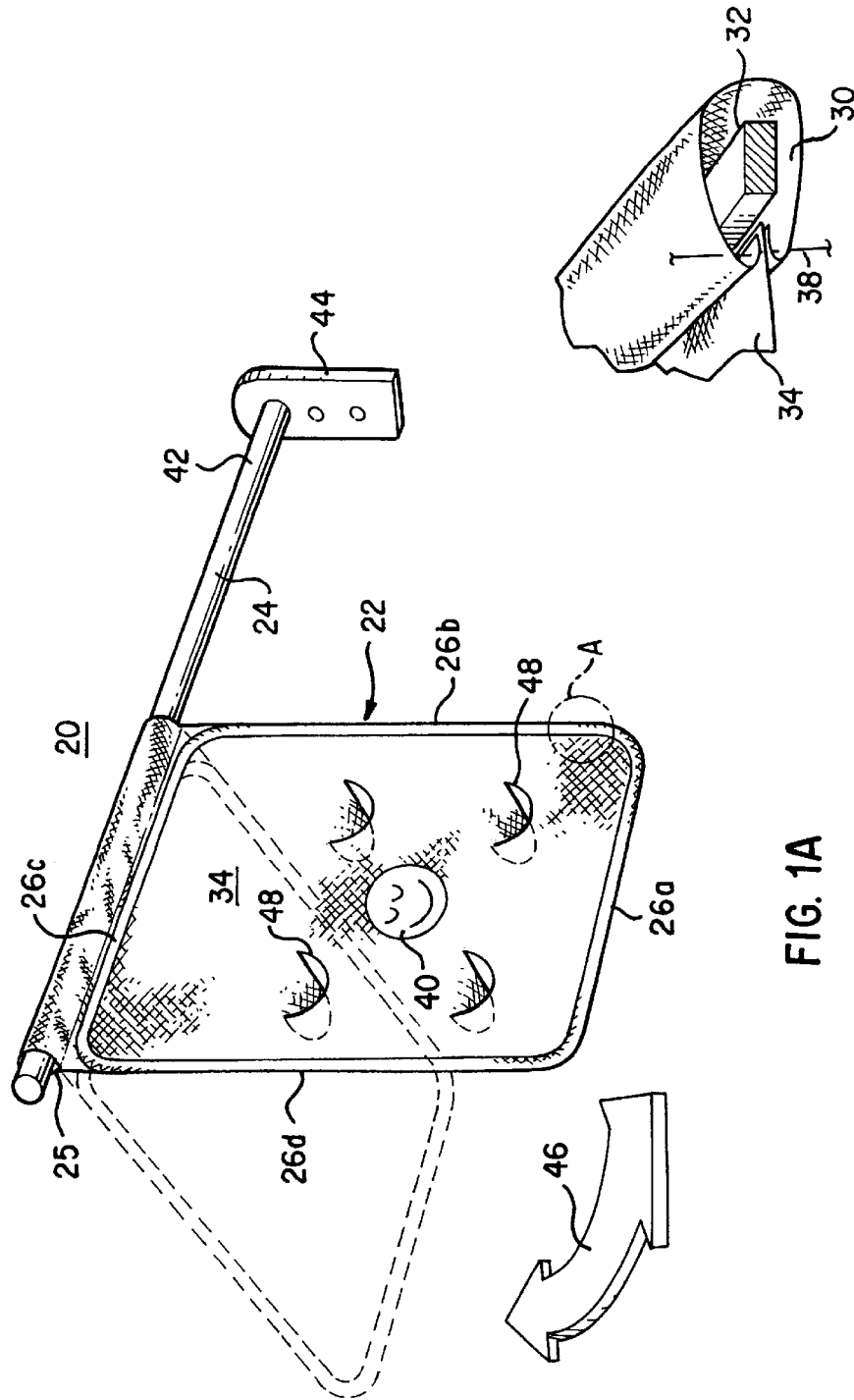


FIG. 1A

FIG. 2

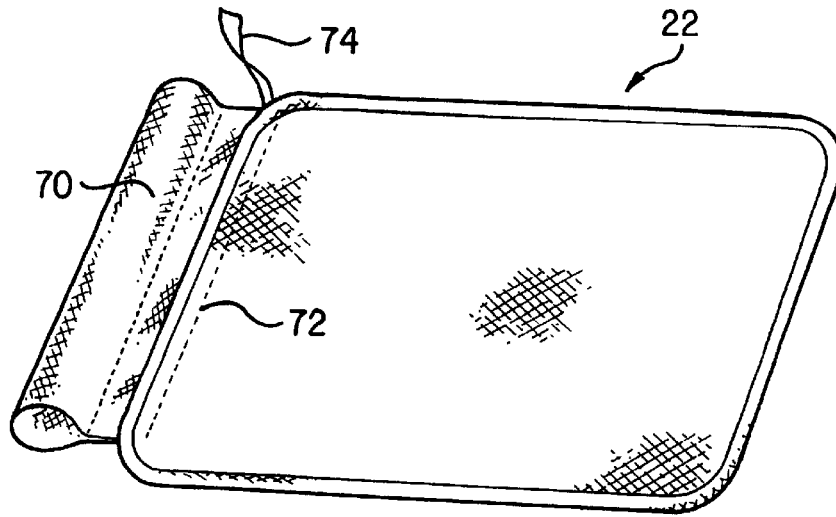


FIG. 1B

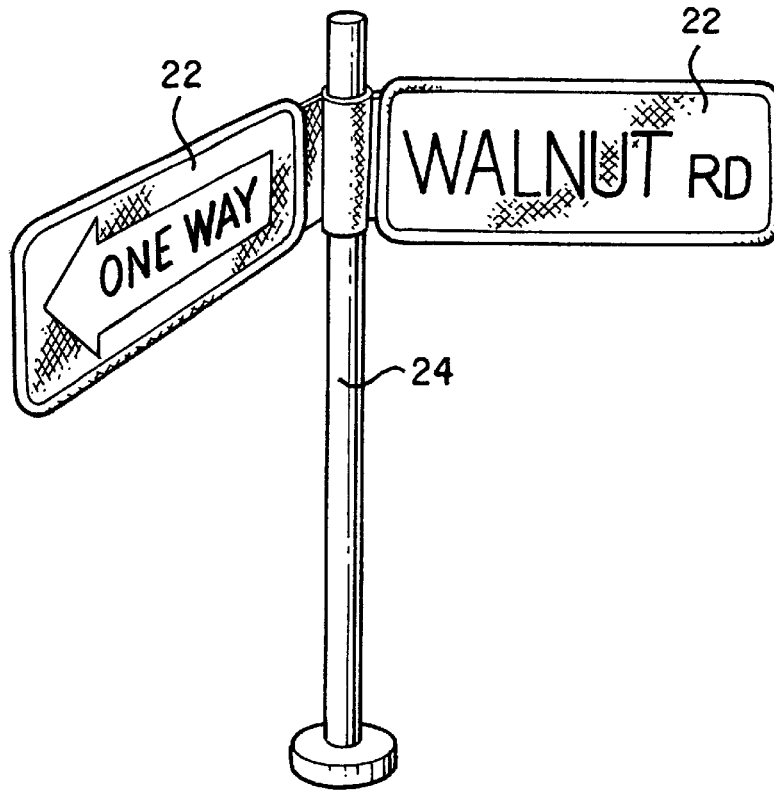


FIG. 3A

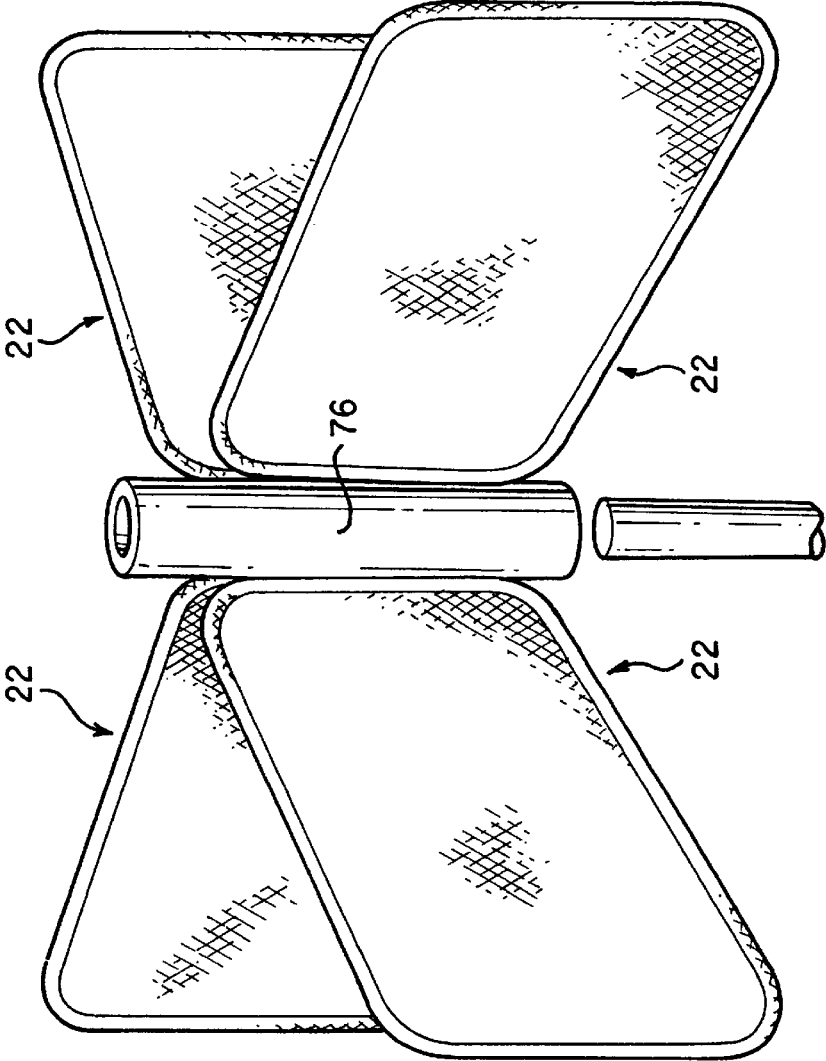


FIG. 3B

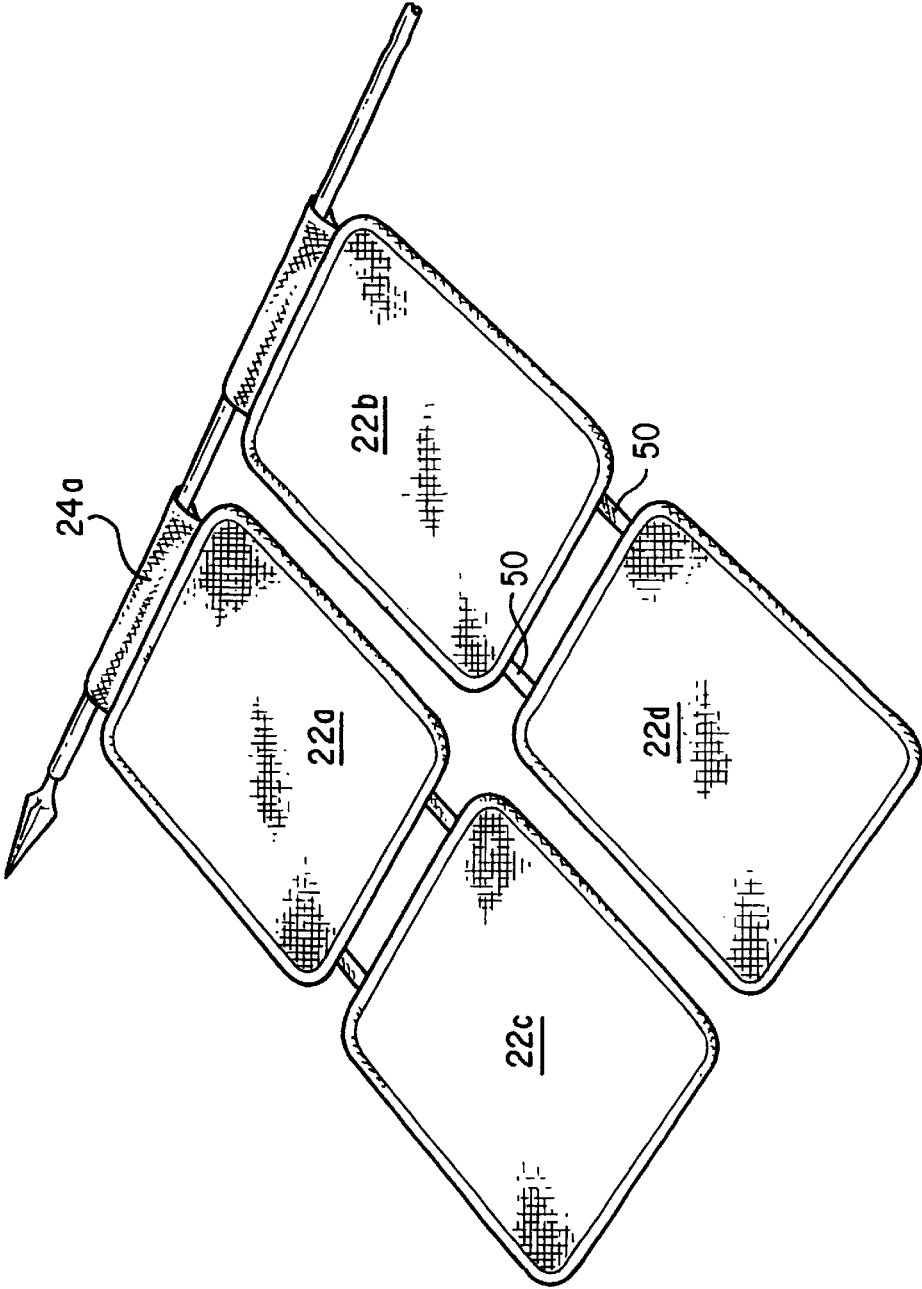


FIG. 4

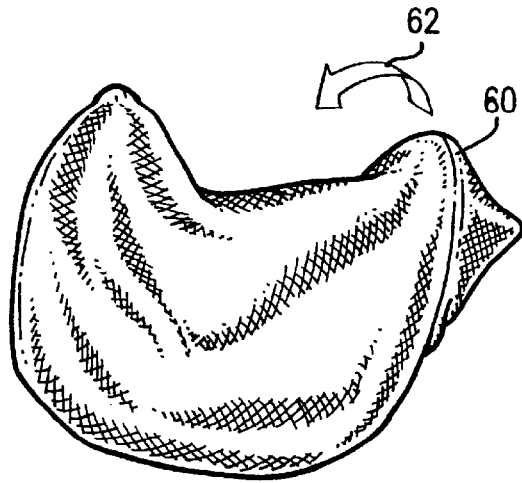


FIG. 5A

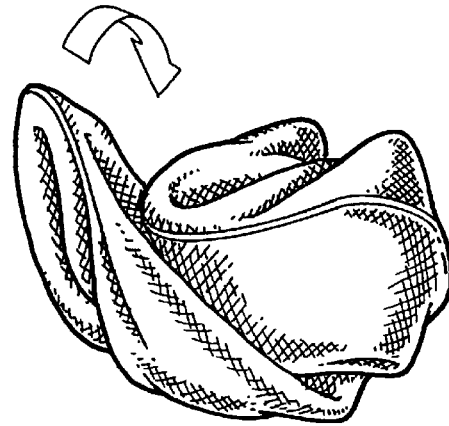


FIG. 5B

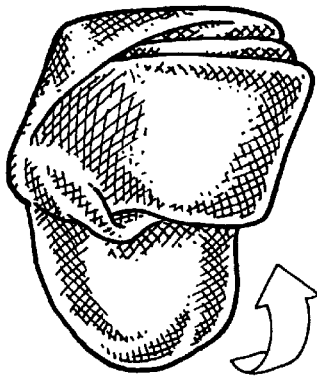


FIG. 5C

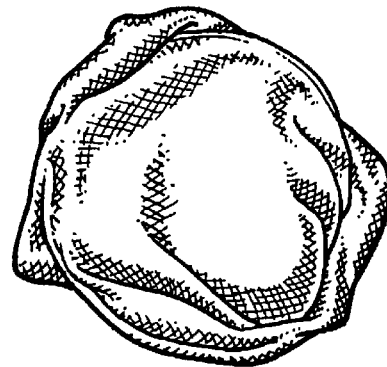


FIG. 5D

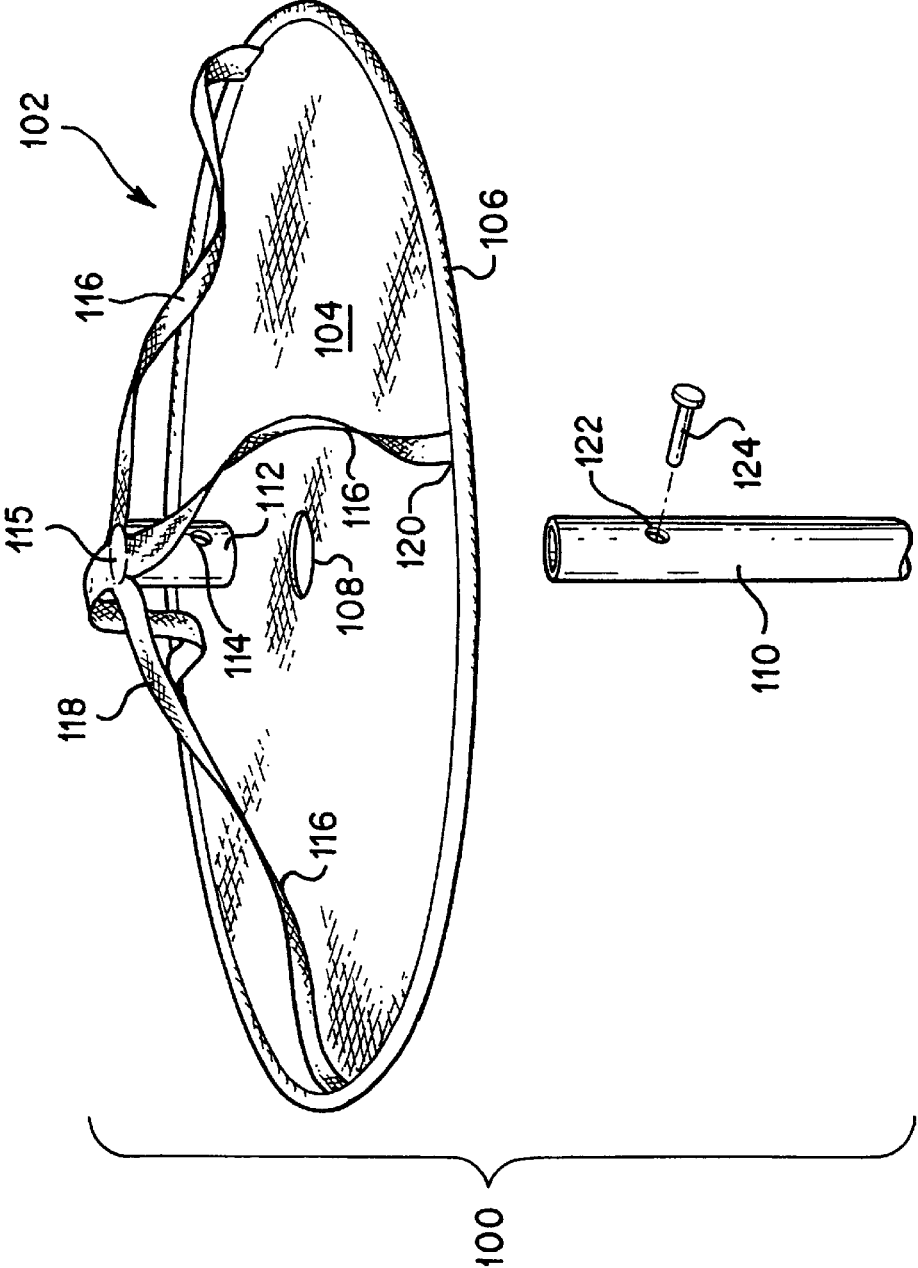


FIG. 6

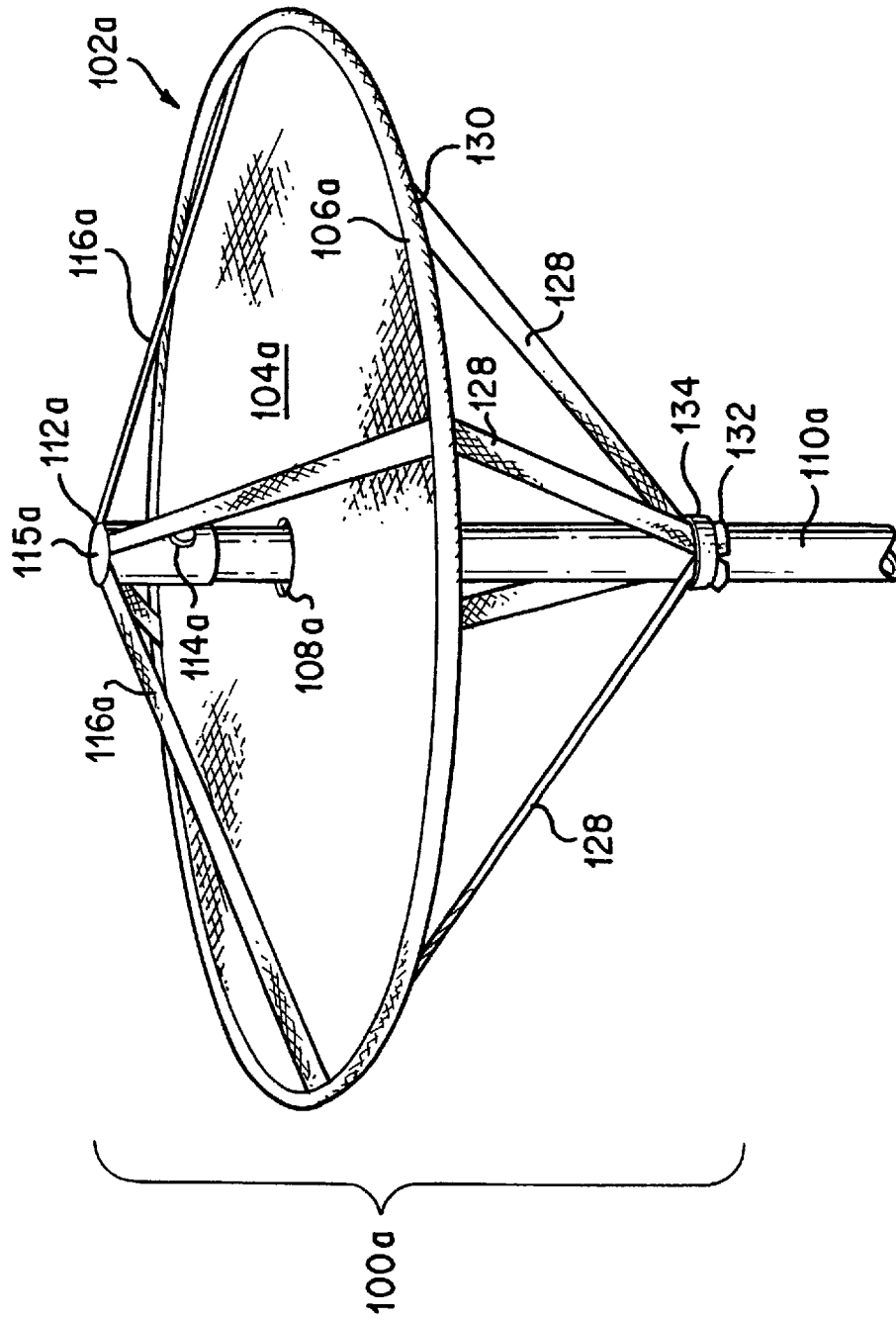


FIG. 7

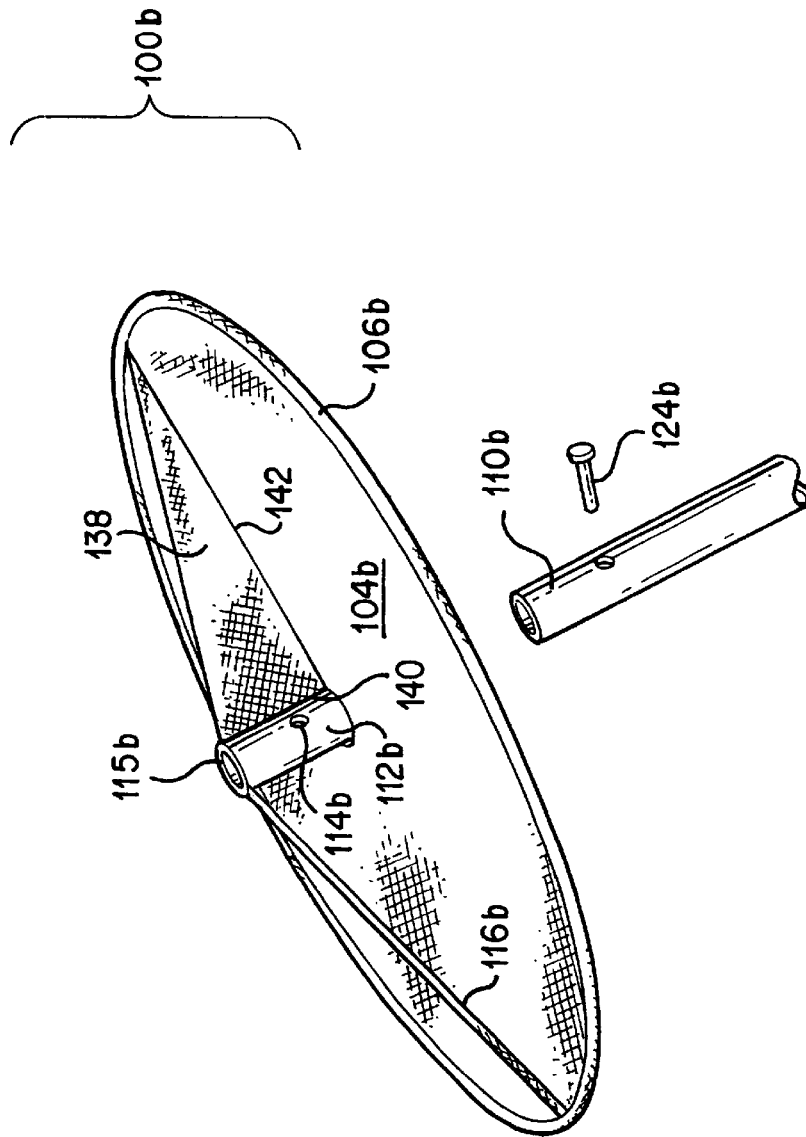


FIG. 8

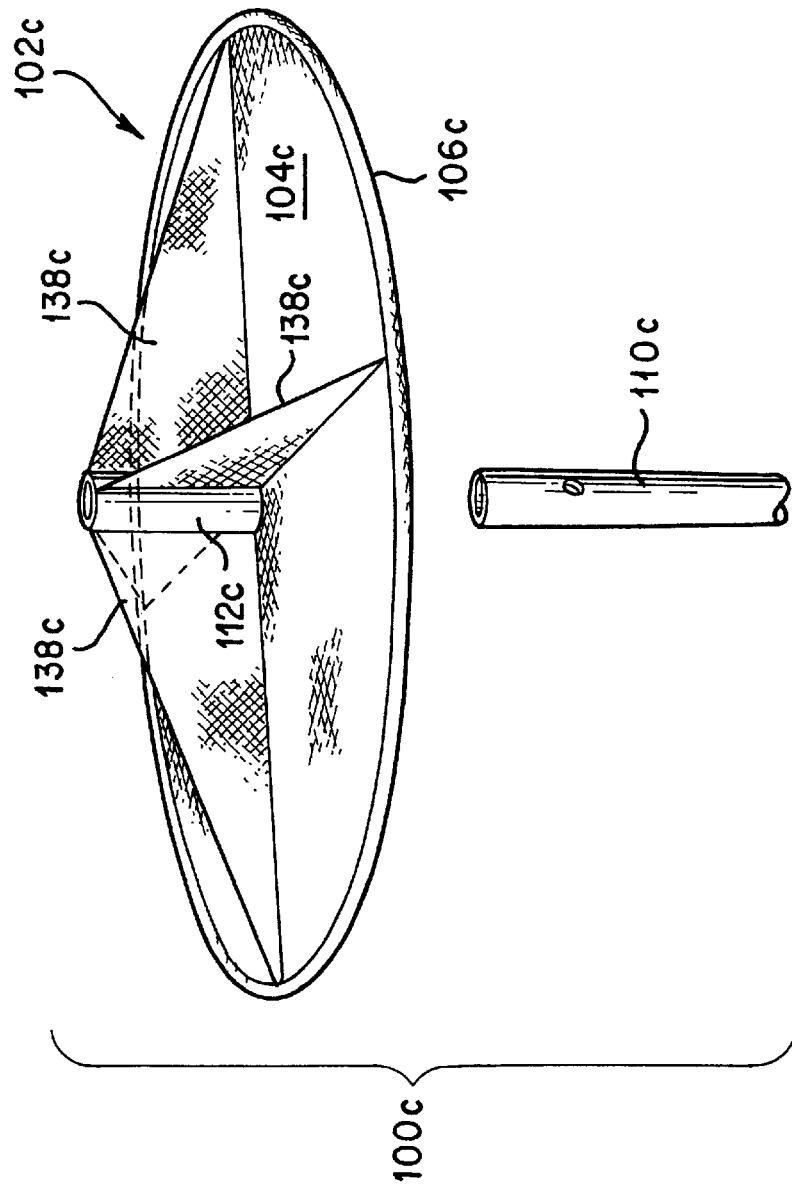


FIG. 9

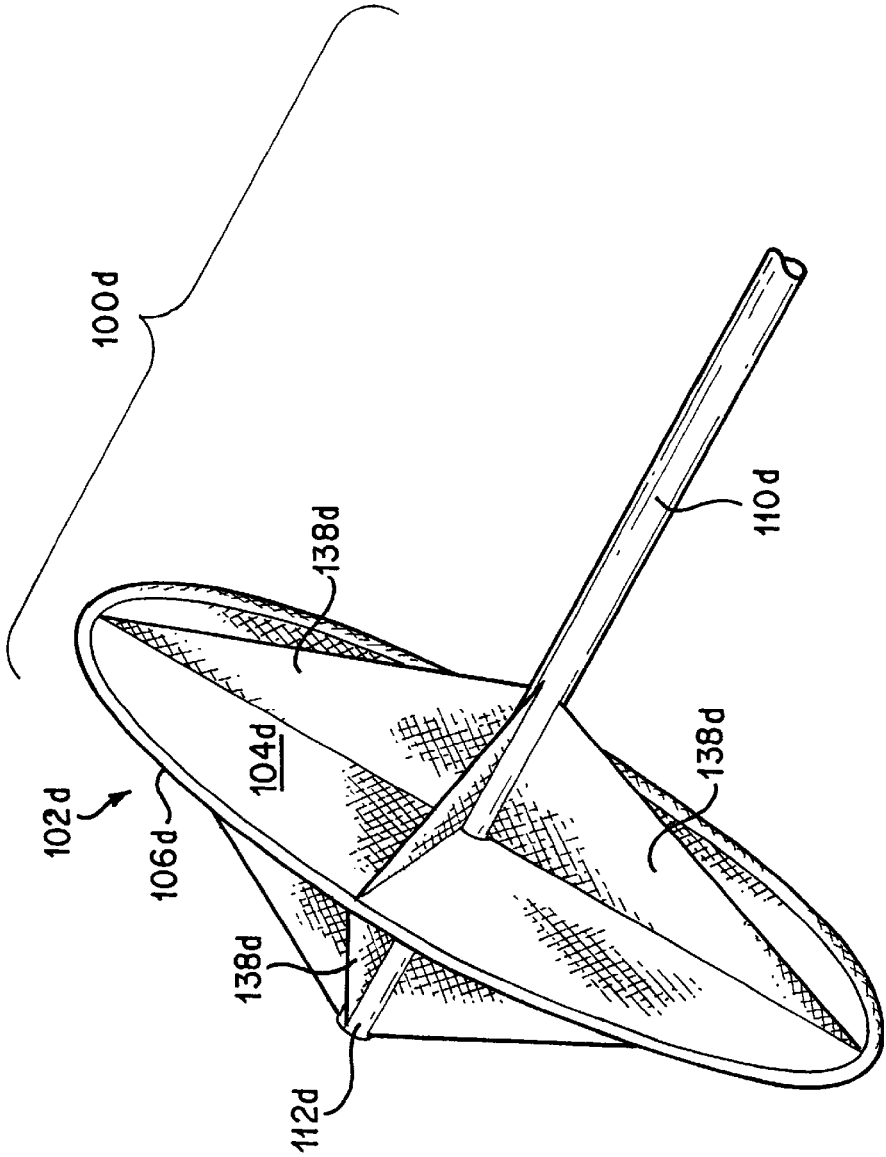


FIG. 10

COLLAPSIBLE STRUCTURES SUPPORTED ON A POLE

RELATED APPLICATIONS

The present application is a continuation of Ser. No. 09/912,896, now U.S. Pat. No. 6,581,313 filed Jul. 25, 2001 for "Collapsible Structures Supported On A Pole", which is in turn a continuation of Ser. No. 09/241,295, filed Feb. 1, 1999, for "Collapsible Structures Supported On A Pole", now U.S. Pat. No. 6,266,904.

BACKGROUND OF THE INVENTION

1. Field of the Invention

The present invention relates to collapsible structures, and in particular, to collapsible structures that can be supported on a pole.

2. Description of the Prior Art

Collapsible objects have recently become very popular. These objects have one or more panels which may be twisted and folded to reduce the overall size of the structures to facilitate convenient storage and use. As such, these collapsible objects are being enjoyed by many people in many different applications.

One such application is for use as collapsible shelters or play structures. Examples of collapsible shelters or play structures are shown and described in the following Zheng patents: U.S. Pat. Nos. 5,467,794, 5,560,385, 5,722,446, 5,778,915 and 5,816,954.

Another application is for use as collapsible sunshields, such as illustrated in U.S. Pat. No. 4,815,784 (Zheng). These sunshields have two interconnecting panels that span the width of the windscreen.

Yet another application is for use as collapsible flying structures, such as illustrated in U.S. Pat. No. 5,358,440 (Zheng).

SUMMARY OF THE DISCLOSURE

It is an object of the present invention to provide collapsible structures or objects that can be used in new and different applications.

It is another object of the present invention to provide collapsible structures or objects that can be supported by a pole.

It is a further object of the present invention to provide a collapsible umbrella.

It is yet a further object of the present invention to provide a collapsible flag, sign or exhibit medium.

In order to accomplish the objects of the present invention, the collapsible objects according to the present invention have a panel having a foldable frame member that has a folded and an unfolded orientation, and a material covering portions of the frame member when the frame member is in the unfolded orientation, with the material assuming the unfolded orientation of its associated frame member. A pole coupled to the panel to support the panel.

In one embodiment, an attachment mechanism is coupled to an edge of the panel for coupling the panel to the pole.

In another embodiment, an opening is provided in the material of the panel, and the pole is inserted through the opening. A pole retaining sleeve is coupled to the panel and aligned with the opening to receive the pole. At least one support can be provided, with a first end coupled to the pole retaining sleeve and a second end coupled to the panel. The

pole retaining sleeve has an opening, and the pole has a through-hole that is adapted to be aligned with the opening of the pole retaining sleeve, with a pin inserted through the opening of the pole retaining sleeve and the through-hole.

In one embodiment of the present invention, the frame member is collapsible to the folded position by twisting and folding to form a plurality of concentric rings and layers of material to substantially reduce the size of the panel in the folded position.

BRIEF DESCRIPTION OF THE DRAWINGS

FIG. 1A is a perspective view of a collapsible exhibit medium according to one embodiment of the present invention shown in use in its expanded configuration;

FIG. 1B illustrates how a sleeve is used to couple the panel to the pole in the embodiment of FIG. 1A;

FIG. 2 is a partial cut-away view of the section A of the panel of FIG. 1A illustrating a frame member retained within a sleeve;

FIG. 3A illustrates the collapsible exhibit medium of FIG. 1A used as a road sign;

FIG. 3B illustrates a modification made to the embodiment of FIG. 3A;

FIG. 4 illustrates another embodiment of a collapsible exhibit medium according to the present invention shown in use in its expanded configuration;

FIGS. 5A-5D illustrate how the collapsible exhibit medium of FIG. 1A can be folded and collapsed to reduce its overall size;

FIG. 6 is a perspective view of a collapsible umbrella according to one embodiment of the present invention shown in use in its expanded configuration;

FIG. 7 illustrates modifications made to the umbrella of FIG. 6;

FIG. 8 illustrates modifications made to the umbrella of FIG. 6;

FIG. 9 illustrates modifications made to the umbrella of FIG. 8; and

FIG. 10 illustrates modifications made to the umbrella of FIG. 9.

DETAILED DESCRIPTION OF THE PREFERRED EMBODIMENTS

The following detailed description is of the best presently contemplated modes of carrying out the invention. This description is not to be taken in a limiting sense, but is made merely for the purpose of illustrating general principles of embodiments of the invention. The scope of the invention is best defined by the appended claims.

The present invention provides collapsible objects that can be supported by a pole. The principles of the present invention can be applied to provide more convenient use and possible new uses for certain objects that are supported on poles, including but not limited to flags, games, umbrellas and exhibit media.

FIGS. 1 and 2 illustrate a collapsible object 20 that embodies the underlying principles of the present invention. Referring to FIG. 1, the object 20 can take the form of a flag, although the object 20 may have other uses, as described below. The object 20 has a collapsible panel 22 that is coupled to a pole 24 by any conventional attachment mechanism 25, including but not limited to strings, straps, rope, opposing Velcro™ pads, links and chains. The panel 22 can be coupled to any part of the pole 24, depending on the

3

desired application and usage. The conventional attachment mechanism **25** can even be a sleeve **70** (see FIG. 1A) that is formed by folding a piece of fabric (as this term is defined below) and then stitched (along stitch line **72**) to an edge of the panel **22**, with the pole **24** retained inside the sleeve **70**. One or more ties (such as **74**) can be provided at any part of the sleeve **70** or panel **22** to tie the combined panel **22** and sleeve **70** to the pole **24** to secure the panel **22** at the desired position along the pole **24**.

The panel **22** can assume any configuration, such as circular, oval, rectangular (as shown), square, trapezoidal, or irregular. As shown in FIG. 1A, the panel **22** has four side edges, a left side edge **26a**, a bottom side edge **26b**, a right side edge **26c**, and a top side edge **26d**. Referring also to FIG. 2, the panel **22** has a continuous frame retaining sleeve **30** provided along and traversing the four edges of its four sides. A continuous frame member **32** is retained or held within the frame retaining sleeve **30** to support the panel **22**.

The continuous frame member **32** of the panel **22** may be provided as one continuous loop, or may be a strip of material connected at both ends to form a continuous loop. The frame member **32** is preferably formed of flexible coilable steel, although other materials such as plastics may also be used. The frame member **32** should be made of a material which is relatively strong and yet is flexible to a sufficient degree to allow it to be coiled. Thus, the frame member **32** is capable of assuming two positions, an open or expanded position such as shown in FIG. 1, or a folded position in which the frame member **32** is collapsed into a size which is much smaller than its open position (see FIG. 5D). The frame member **32** may be merely retained within the frame retaining sleeve **30** without being connected thereto. Alternatively, the frame retaining sleeve **30** may be mechanically fastened, stitched, fused, or glued to the frame member **32** to retain the frame member **32** in position.

Fabric or sheet material **34** extends across the panel **22** and is held taut by the frame member **32** when the panel **22** is in its open position. The fabric **34** can extend tautly across the entire space defined by the frame member **32**, or can extend across selected portions of the space defined by the frame member **32**. The term fabric is to be given its broadest meaning and should be made from strong, lightweight materials and may include woven fabrics, sheet fabrics or even films. The type of fabric used will depend on the intended application. For example, a stronger and more durable fabric will be used if the object is intended for outdoor use, such as a road sign or flag, among others. In certain applications (such as when used as an umbrella shade), the fabric is preferably water-resistant and durable to withstand the wear and tear associated with rugged outdoor use or rough treatment by children and adults. Any pattern, message, color or indicia (see **40**) can be provided on one or both sides of the fabric **34**.

As illustrated best in FIG. 2, the frame retaining sleeve **30** may be attached to the fabric material **34** along the side edges **26a-26d** of the panel **22**. Specifically, the fabric material **34** can be attached to the frame retaining sleeve **30** by applying a stitching **38** that extends along the side edges **26a-26d**. The stitching **38** can also operate to enclose the frame retaining sleeve **30**. Alternatively, the frame retaining sleeve **30** can be a part of or an extension of the fabric material **34**, where the side edge of the fabric material **34** is wrapped around the frame member **32** to enclose the frame member **32**, and then the stitching **38** applied to enclose the sleeve **30**.

An important benefit provided by the principles of the present invention is that these principles can be adapted to

4

vary the usage and increase the applications available to existing or known devices. For example, the object **20** in FIG. 1 can be a flag or commercial sign post used by a retail store, with the bottom end **42** of the pole **24** secured to a bracket or holder **44** secured in a wall. Conventional flags are made of a fabric material, which causes the flag to wave as the wind blows, and often curl or wrap around the pole. To avoid this curling or wrapping problem, commercial signs are typically made of a heavy piece of wood or metal that can be expensive, and can cause damage or injury if the sign falls or breaks off from its pole or other support.

However, the panel **22** according to the present invention has a generally unchanged configuration when in its opened configuration, due to the support provided along its edges by the frame member **32**. As indicated by the arrow **46** in FIG. 1, the panel **22** can be pivoted about its attachment mechanism(s) **25** (about an axis defined by the pole **24**) so that wind or other forces will only cause the panel **22** to pivot about the pole **24**. Therefore, when used as either a flag or a commercial sign, the panel **22** offers a novel and different type of "rigid" flag or exhibit medium that might have different appeal to consumers, since the panel **22** will not curl or wrap around the pole **22**. This is a non-limiting example of the object **20** of the present invention having multiple uses (i.e., flag and commercial sign) where the conventional flags and sign posts would not have had the capability to be used as the other.

Alternatively, the panel **22** can be used as a road sign, as illustrated in FIG. 3. In this regard, the support provided along the edges of the panel **22** by the frame member **32** render the panel **22** sufficiently stiff (and non-curlable) in the open configuration, thereby making it well-suited for use as a road sign. In addition, as illustrated in FIG. 3, two or more panels **22** can be provided on the pole **24**, each serving the same or different purpose (i.e., one identifies the name of a road, the other provides a warning such as "One Way"). The road sign can be used indoors (by children or adults for amusement purposes) or outdoors (as actual road signs).

Yet another possible application is that the panel **22** can be provided as a game background. For example, as shown in FIG. 1, openings **48** can be provided in the fabric **34**, and the object **20** suspended from a wall or support like a flag, so that a user can toss a ball (not shown) through these openings **48**.

When used as a road sign, game background, a flag or commercial sign, as described above, the panel **22** can be collapsed into a smaller configuration (as described in connection with FIGS. 5A-5D below), so that the panel **22** can be removed, collapsed and conveniently stored due to its smaller size. The ability to fold and collapse the panel **22** into a smaller size provides the users of flags, games, road signs and commercial signs with added convenience in storage and transportation, especially if the panel **22** is very large.

FIG. 3B illustrates another non-limiting alternative, where a plurality (such as four) of panels **22** can be stitched or otherwise coupled to a central sleeve **76** that can be configured in the same manner as illustrated in FIG. 1B. Each of the plurality of panels **22** in FIG. 3B can be used for different purposes, such as an exhibit medium, a game background, etc.

As yet another non-limiting alternative, FIG. 4 illustrates a plurality of panels **22a**, **22b**, **22c**, **22d** that can be attached to each other by any conventional attachment device **50**, such as opposing Velcro™ pads, stitching, or straps, to define a larger area that may be used, for example, as an

5

exhibit media to exhibit or display large drawings, signs, posters, messages, etc. The pole **24a** can be stood vertically on a surface or ground (with the aid of a support such as a base), or can be hung or suspended from a wall or surface. Two of the panels **22a**, **22b** can be coupled to the pole **24a** by any of the attachment mechanisms **25** described above. In addition, not all the panels **22a**, **22b**, **22c**, **22d** need to be attached to each other. For example, panel **22c** can be attached to panel **22a** but not to panel **22d**. Similarly, panel **22a** does not need to be attached to panel **22b**. Thus, two of the panels (such as **22a**, **22c**) can together represent one media background, and the other two panels (**22b**, **22d**) can together represent a separate media background, with both media backgrounds possibly allowing their respective images to be juxtaposed, combined, etc. In addition, the panels **22a–22d** can have different shapes and sizes, with some coupled or uncoupled to others. As a non-limiting example, the panels **22b** and **22d** can be replaced by one larger panel that spans the space occupied by panels **22b**, **22d**, with the larger panel possibly coupled to, or detached from, the upper panels **22a** and **22c**.

The object **20** can also be folded and collapsed into a compact configuration for storage, as illustrated in FIGS. **5A–5D**. First, the panel **22** can be removed from the pole **24**. Then, as shown in FIG. **5A**, the opposite border **60** of the panel **22** is folded in (see arrow **62**) to collapse the panels **22**, **24**. As shown in FIG. **5B**, the collapsing is continued so that the initial size of the panel **22** is reduced. FIG. **5C** shows the next step, in which the panel **22** is collapsed on itself to provide for a small essentially compact configuration having a plurality of concentric frame members **32** and layers of the fabric material **34** so that the collapsed panel **22** has a size which is a fraction of the size of the initial panel **22**, as shown in FIG. **5D**. Thus, the object **20** can be folded and stored very quickly using the steps illustrated in FIGS. **5A–5D**.

To re-open the object **20** to its expanded configuration, the collapsed panel **22** is unfolded. The memory (i.e., spring-load) of the frame member **32** will cause the frame member **32** to uncoil on its own and quickly expand the panel **22** to the expanded or open configuration shown in FIG. **1**. The panel **22** can then be coupled to the pole **24** for use.

The above-described methods for folding and collapsing a panel **22**, and for re-opening the panel **22** to deploy the object **20** for use, can be applied to all the embodiments illustrated hereinbelow.

FIG. **6** illustrates a collapsible umbrella **100** according to the present invention. The umbrella **100** has a panel **102** that can have essentially the same construction as panel **22** described above, except that the panel **102** can have a generally circular shape. As with panel **22**, panel **102** has a surrounding frame member that supports fabric **104** in a taut manner when panel **102** is in the open position, as shown in FIG. **6**, with the frame member retained inside a frame retaining sleeve **106**. In addition, panel **102** has an opening **108** provided at about the center of panel **102** for allowing an umbrella shaft or pole **110** to be inserted therethrough.

A pole retaining sleeve **112** is provided above the panel **102** and aligned with the opening **108** for coupling thereto. The sleeve **112** is coupled to the panel **102** to retain and secure the pole **110** at a fixed position during use of the umbrella **100**. The pole retaining sleeve **112** can be made from a fabric material (as defined above), and has an opening **114** extending therethrough. The top **115** of the sleeve **112** can be closed or sealed off. A plurality of radial upper straps or supports **116** are used to couple the pole

6

retaining sleeve **112** to the panel **102**. Any number of these radial upper supports **116** can be provided. Each support **116** has a first end **118** stitched or otherwise attached to the top of pole retaining sleeve **112**, and a second end **120** stitched or otherwise attached to one location along the frame retaining sleeve **106** in a manner so that the respective second ends **120** are spaced apart from each other in a radial manner along the circumference of the frame retaining sleeve **106**. In use, the pole **110** can be inserted through the opening **108** and into the pole retaining sleeve **112**. The pole **110** has a through-hole **122** that is aligned with the opening **114** in sleeve **112** when the pole **110** is fitted inside the sleeve **112**. A pin **124** is then inserted through the opening **114** and through-hole **122** above the panel **102** to secure the panel **102** at the top of the pole **110**.

Thus, the panel **102** is used as an umbrella shade, to shield the user from sunlight or rainfall. The supports **116** function to support the circumferential edge of the panel **102**, especially when heavy rainfall might cause the circumferential edge of the panel **102** to bend downwardly. When this happens, the supports **116** limit the extent to which the circumferential edge of the panel **102** can bend downwardly.

When the user wishes to store the umbrella **100**, the pin **124** is removed, and the pole **110** removed from the sleeve **112**. The panel **102** can then be folded and collapsed according to the steps illustrated in FIGS. **5A–5D** to obtain a compact umbrella shade (i.e., the collapsed panel **102**) that can be conveniently carried around or stored. To use the umbrella **100**, the user opens the panel **102**, and then inserts the pole **110** into the sleeve **112** and extends the pin **124** through the opening **114** and through-hole **122** above the panel **102** to secure the panel **102** at the top of the pole **110**. The same principles for storing and deploying the umbrella **100** can be applied to the umbrellas described in the embodiments below.

FIG. **7** illustrates modifications that can be made to umbrella **100** of FIG. **6**. The umbrella **100a** in FIG. **7** is essentially the same as umbrella **100**, except that lower supports **128** are also provided to extend from the circumferential edge of the panel **102a** to a point or location of the pole **110a** below the panel **102a**. Each lower support **128** has a first end **130** stitched or otherwise attached to one location along the frame retaining sleeve **106a** in a manner so that the respective first ends **130** are spaced apart from each other in a radial manner along the circumference of the frame retaining sleeve **106a**. An opposing second end **132** of each lower support **128** can be left free for the user to tie it to the pole **110a**, or a coupling mechanism **134** (such as a hook, strap or other similar mechanism) can be provided at the second end **132** to enable the user to secure the second end **132** to the pole **110a** during use. The lower supports **128** can be the same mechanism as the upper supports **116**, and also functions to provide support to the panel **102a** with respect to the pole **110a**. When removing the pole **110a**, the second ends **132** can be detached or untied from the pole **110a**. The elements of the umbrella **100a** that are the same as the elements of umbrella **100** are provided with the same numeral designations except that an “a” has been added to the numeral designations in FIG. **7**, and shall not be described in greater detail herein.

FIG. **8** illustrates additional modifications that can be made to umbrella **100** of FIG. **6**. The umbrella **110b** in FIG. **8** is essentially the same as umbrella **100**, except that some of the upper supports are provided in the form of a thin strap or string (see **116b**), while some of the upper supports are provided in the form of a fabric piece **138**. The elements of the umbrella **110b** that are the same as the elements of

7

umbrella **100** are provided with the same numeral designations except that a “b” has been added to the numeral designations in FIG. **8**. The fabric piece **138** preferably has a first (e.g., inner) edge **140** that is stitched or otherwise attached to the sleeve **112b**, and a second (e.g., lower) edge **142** that is stitched or otherwise attached to the fabric **104b**. In one embodiment, to achieve the greatest degree of support, the inner edge **140** can extend along the length of the sleeve **112b**, and the lower edge **142** can extend along the radius of the panel **102b** from the sleeve **112b** to the frame retaining sleeve **106b**. However, to achieve lesser degrees of support, the inner and lower edges **140**, **142** can extend for shorter lengths along the sleeve **112b** and fabric **104b**, respectively.

FIG. **9** illustrates an umbrella **100c** that extends the principles illustrated by umbrella **100b** of FIG. **8**. The umbrella **100c** in FIG. **9** is essentially the same as umbrella **100b**, except that all of the upper supports are provided in the form of a fabric piece **138c**, each of which is spaced apart along the frame retaining sleeve **106c**. The elements of the umbrella **100c** that are the same as the elements of umbrella **100b** are provided with the same numeral designations except that a “c” has been added to the numeral designations in FIG. **9**.

FIG. **10** illustrates an umbrella **100d** that extends the principles illustrated by umbrellas **100b** and **100c** of FIGS. **8** and **9**, respectively. The umbrella **100d** in FIG. **10** is essentially the same as umbrellas **100b** and **100c**, except that all of the upper and lower supports are provided in the form of fabric pieces **138d**, each of which is spaced apart along the frame retaining sleeve **106d**. The elements of the umbrella **100d** that are the same as the elements of umbrellas **100b** and **100c** are provided with the same numeral designations except that a “d” has been added to the numeral designations in FIG. **10**.

Thus, the present invention provides collapsible objects that can be supported by a pole. These objects can include flags, commercial signs, road signs, games, exhibit medium and umbrellas, among others. By providing each of these objects with a collapsible panel, these objects can be collapsed and reduced in size for convenient storage and transportation, thereby enhancing the utility of these objects, and possibly increasing the types of uses for these objects. In addition, in certain circumstances (e.g., the games and flags illustrated above), variety in play and amusement value can also be increased.

While the description above refers to particular embodiments of the present invention, it will be understood that many modifications may be made without departing from the spirit thereof. The accompanying claims are intended to cover such modifications as would fall within the true scope and spirit of the present invention.

What is claimed is:

1. An object, comprising:

at least one panel, each panel having a continuous frame member that has a folded and an unfolded orientation, and a material covering at least portions of the frame member when the frame member is in the unfolded orientation, wherein each frame member is collapsible to the folded orientation by twisting and folding to form a plurality of concentric rings to substantially reduce the size of the frame member in the folded orientation, and wherein each panel has a generally flat, planar configuration when the frame member of the panel is in the unfolded orientation; and

a pole coupled to the at least one panel to support the panel.

8

2. An object as recited in claim **1**, wherein the at least one panel has an aperture in said material and wherein the pole extends through the aperture.

3. An object as recited in claim **1**, wherein the pole has a first end and wherein the object further comprises connecting structure for connecting the first end of the pole to the at least one panel.

4. An object as recited in claim **1**, wherein:

the at least one panel has an aperture in said material; the pole has a first end that extends through the aperture; and

the object further comprises connecting structure for connecting the first end of the pole to the at least one panel.

5. An object as recited in claim **1**, wherein the at least one panel comprises at least two panels and wherein the pole supports one of the two panels above the other of the two panels.

6. An object as recited in claim **1**, wherein:

the frame member of the at least one panel forms a continuous loop adjacent an outer peripheral edge of the panel, with the panel material extending across an area circumscribed by the frame member;

the panel material includes an aperture within the area circumscribed by the frame member; and

the pole has a first end that extends through the aperture.

7. An object as recited in claim **6**, further comprising connecting structure for connecting the first end of the pole to the at least one panel.

8. An object as recited in claim **1**, wherein the object is configured to be supported on a ground surface and wherein the pole supports the at least one panel above the ground surface.

9. The object of claim **1**, wherein each panel further includes a frame retaining sleeve provided along the material for retaining the respective frame member.

10. An object, comprising:

a plurality of panels, each panel having a continuous frame member that has a folded and an unfolded orientation, and a material covering at least portions of the frame member when the frame member is in the unfolded orientation, wherein the frame member is collapsible to the folded orientation by twisting and folding to form a plurality of concentric rings to substantially reduce the size of the frame member in the folded orientation; and

a pole coupled to the plurality of panels, the pole extending between the plurality of panels.

11. An object as recited in claim **10**, wherein at least one panel is supported by the pole.

12. An object as recited in claim **10**, wherein the object is configured to be supported on a ground surface and wherein the pole supports at least one panel above the ground surface.

13. An object as recited in claim **10**, wherein the plurality of panels comprises first and second panels and wherein the pole supports the first panel above the second panel.

14. The object of claim **10**, wherein each panel further includes a frame retaining sleeve provided along the material for retaining the respective frame member.

15. The object of claim **10**, wherein each panel has a generally flat, planar configuration when the frame member of the panel is in the unfolded orientation.

16. The object of claim **10**, wherein the plurality of panels comprises no more than two panels.