



US006604537B2

(12) **United States Patent**
Zheng

(10) **Patent No.:** **US 6,604,537 B2**
(45) **Date of Patent:** ***Aug. 12, 2003**

(54) **COLLAPSIBLE STRUCTURES**

(75) Inventor: **Yu Zheng**, Covina, CA (US)

(73) Assignee: **Patent Category Corp.**, Walnut, CA (US)

(*) Notice: Subject to any disclaimer, the term of this patent is extended or adjusted under 35 U.S.C. 154(b) by 0 days.

This patent is subject to a terminal disclaimer.

(21) Appl. No.: **09/802,227**

(22) Filed: **Mar. 8, 2001**

(65) **Prior Publication Data**

US 2001/0010232 A1 Aug. 2, 2001

Related U.S. Application Data

(63) Continuation of application No. 09/541,211, filed on Apr. 3, 2000, now Pat. No. 6,209,557, which is a continuation of application No. 09/059,811, filed on Apr. 14, 1998, now Pat. No. 6,155,281, which is a continuation-in-part of application No. 08/773,066, filed on Dec. 26, 1996, now Pat. No. 5,778,915.

(51) **Int. Cl.**⁷ **E04H 15/40**
(52) **U.S. Cl.** **135/126; 135/125**
(58) **Field of Search** **135/124, 125, 135/126, 128, 136, 137**

(56) **References Cited**

U.S. PATENT DOCUMENTS

3,826,707 A	7/1974	Hentges	135/149 X
3,847,170 A	11/1974	Anderson	135/143 X
3,960,161 A	6/1976	Norman	
3,990,463 A	11/1976	Norman	
4,000,585 A	1/1977	Denaro	
4,085,762 A	4/1978	O'Brian et al.	135/149 X
4,590,956 A	5/1986	Griesenbeck	135/127 X
4,815,784 A	3/1989	Zheng	

4,825,892 A	5/1989	Norman	
4,858,634 A	8/1989	McLeese	
4,858,635 A	8/1989	Eppenbach	135/125
4,951,333 A	8/1990	Kaiser et al.	
5,038,812 A	8/1991	Norman	
5,137,044 A	8/1992	Brady	
5,163,461 A	11/1992	Ivanovich et al.	
5,249,592 A	10/1993	Springer et al.	135/126
5,370,145 A	12/1994	Wu	
5,385,165 A	1/1995	Hazinski et al.	
5,439,017 A	8/1995	Brown	
5,439,018 A	8/1995	Tsai	135/126 X
5,467,794 A	11/1995	Zheng	
5,560,385 A	10/1996	Zheng	
5,562,115 A	10/1996	Sotelo	135/137 X
5,582,197 A	12/1996	Dobberstein	135/127 X
5,592,961 A	1/1997	Chin	

(List continued on next page.)

FOREIGN PATENT DOCUMENTS

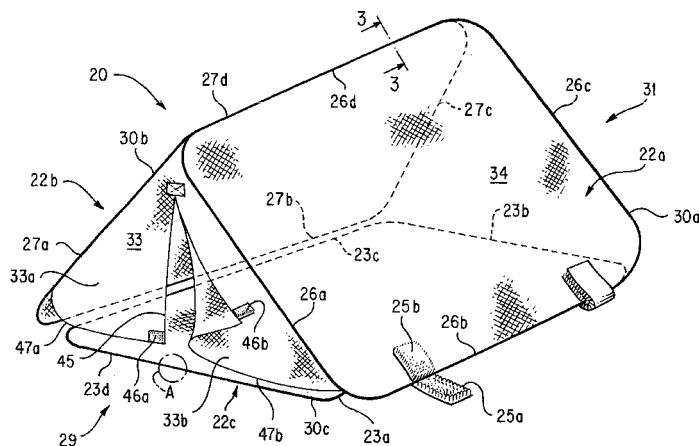
FR	399025	6/1909	135/137
FR	2635136	2/1990	
GB	2263920	10/1995	
JP	8-57164	3/1996	

Primary Examiner—Janet M. Wilkens
(74) *Attorney, Agent, or Firm*—Raymond Sun

(57) **ABSTRACT**

A collapsible structure has first and second wall panels, each wall panel having a foldable frame member having a folded and an unfolded orientation, a frame retaining sleeve for retaining the respective frame member, and a fabric material substantially covering each frame member to form the panel for each frame member when the frame member is in the unfolded orientation. The fabric assumes the unfolded orientation of its associated frame member. The foldable frame member for each wall panel further includes a top side and a bottom side, with the frame retaining sleeve of the first wall panel stitched along the length of its top side to the frame retaining sleeve along the length of the top side of the second wall panel to form a hinged connection.

4 Claims, 11 Drawing Sheets



U.S. PATENT DOCUMENTS							
			5,935,683	A	*	8/1999	Iiyama et al. 428/141
5,601,105	A	2/1997	Blen et al.				
			6,082,386	A	*	7/2000	Zheng 135/126
5,645,096	A	7/1997	Hazinski et al.				
			6,109,281	A	*	8/2000	Lowenthal 135/125
5,676,168	A	10/1997	Price				
			6,257,263	B1	*	7/2001	Brereton 135/126
5,778,915	A	* 7/1998	Zheng 135/126				
			6,325,086	B1	*	12/2001	Shinner et al. 135/126
5,800,067	A	9/1998	Easter				
			6,360,761	B1	*	3/2002	Zheng 135/126
5,816,278	A	10/1998	Kim				

* cited by examiner

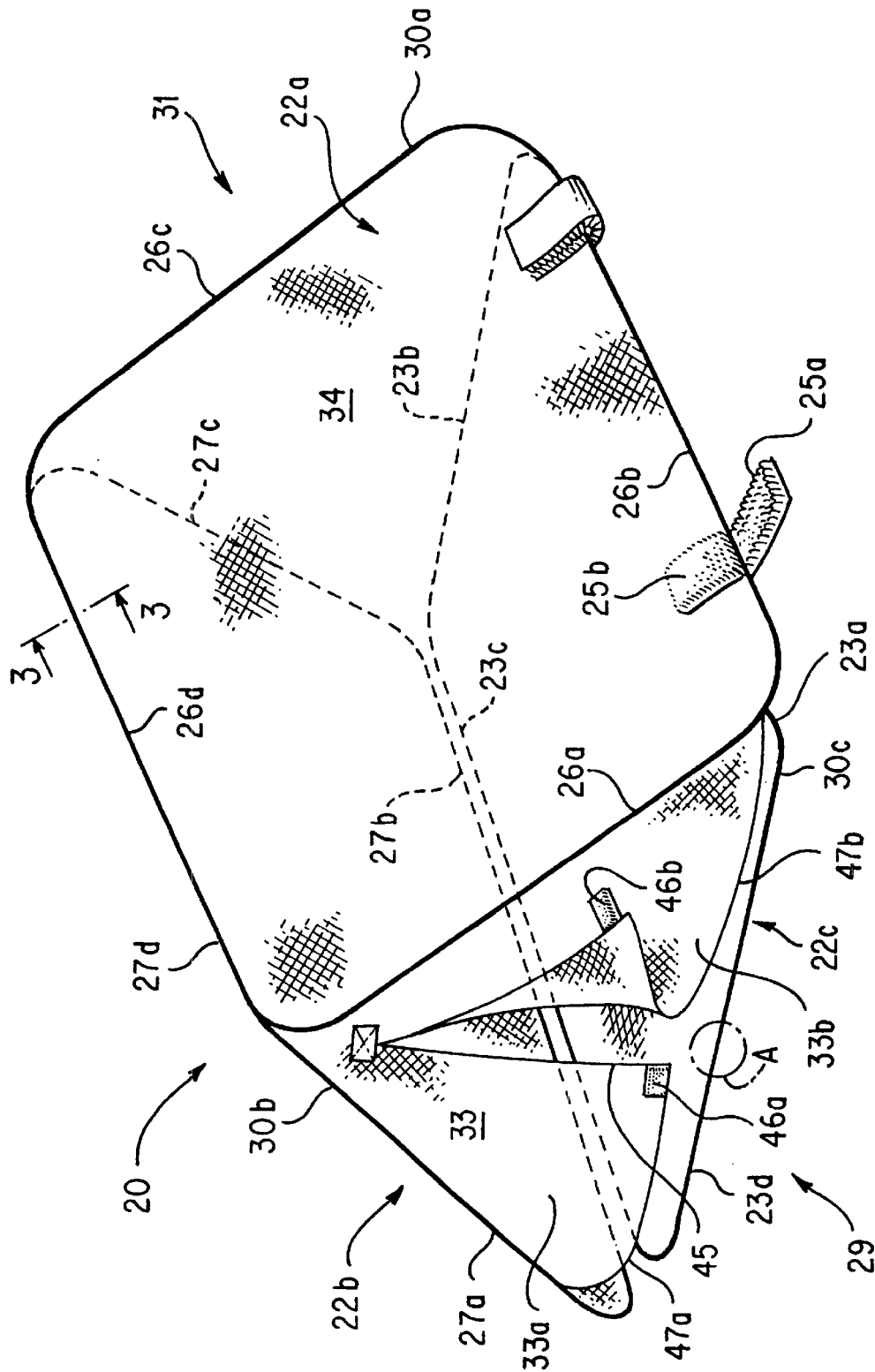


FIG. 1

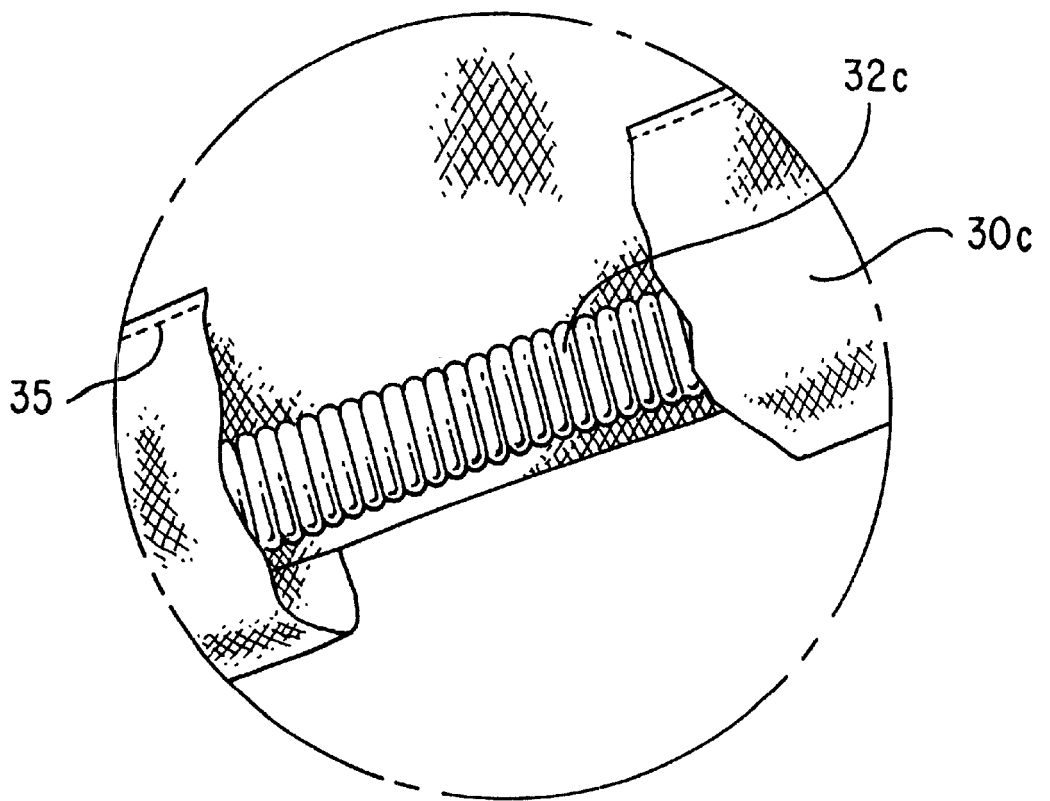


FIG. 2

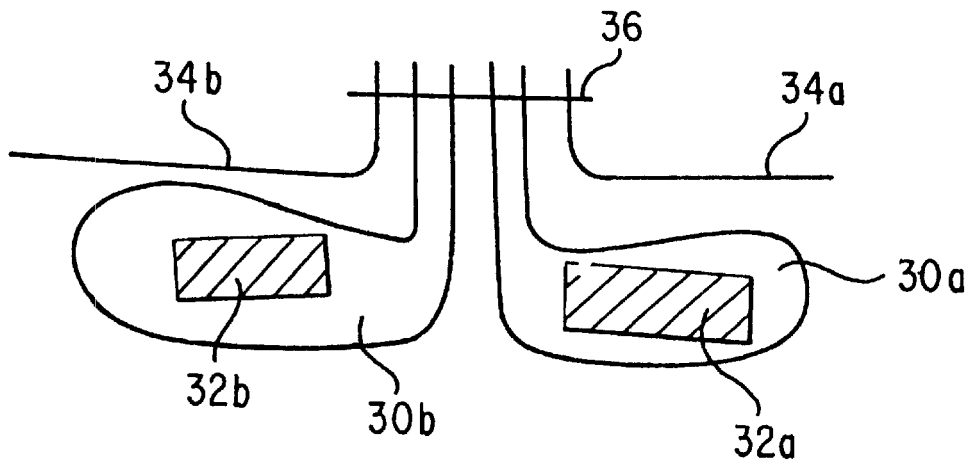


FIG. 3A

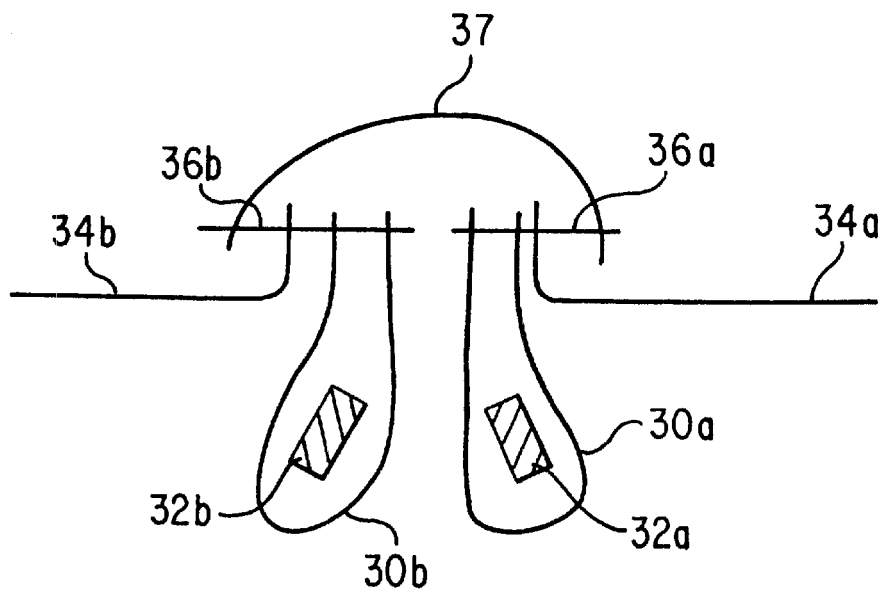


FIG. 3B

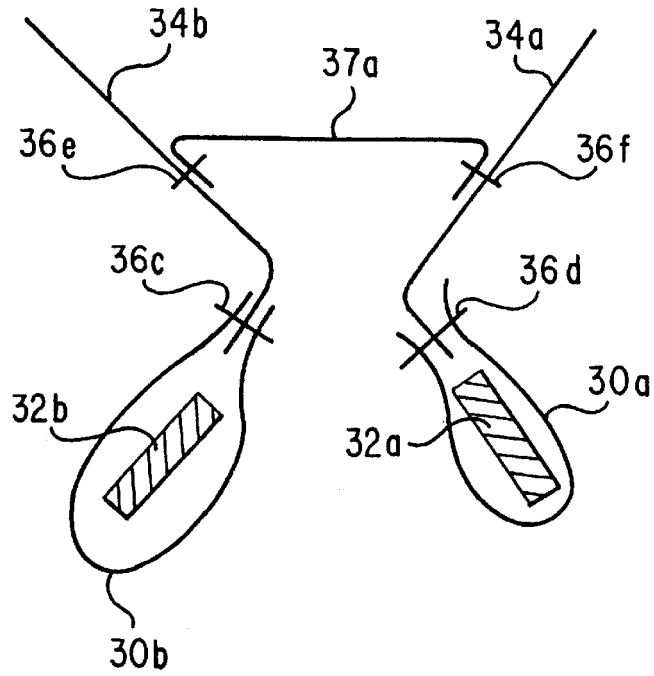


FIG. 3C

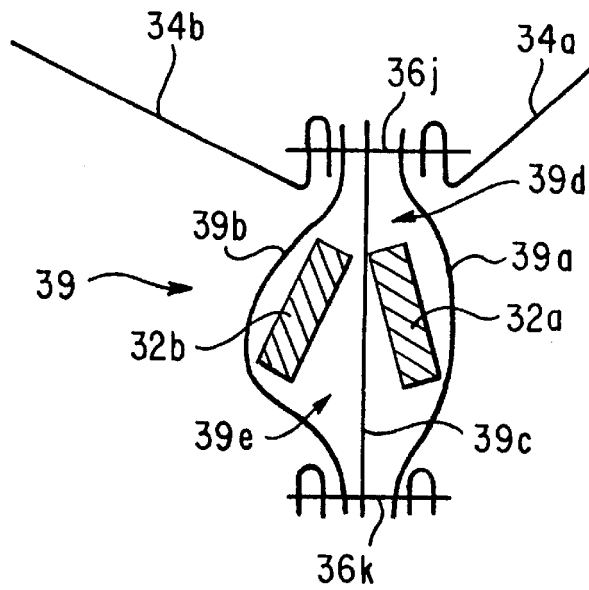


FIG. 3E

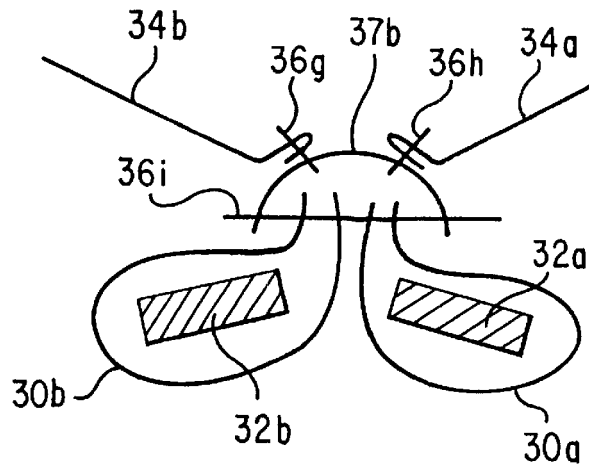


FIG. 3D

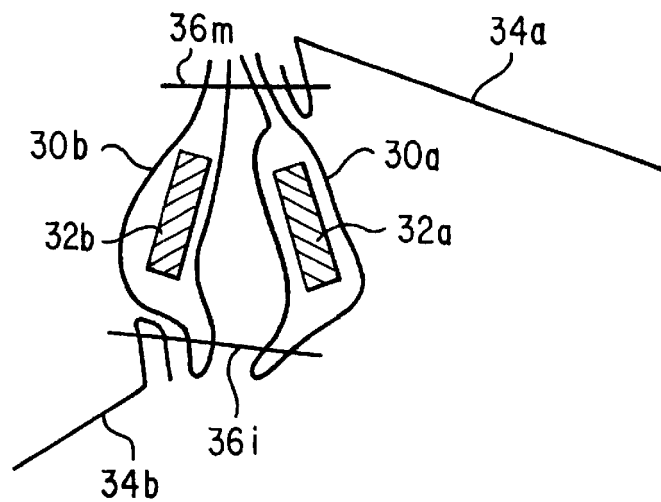


FIG. 3F

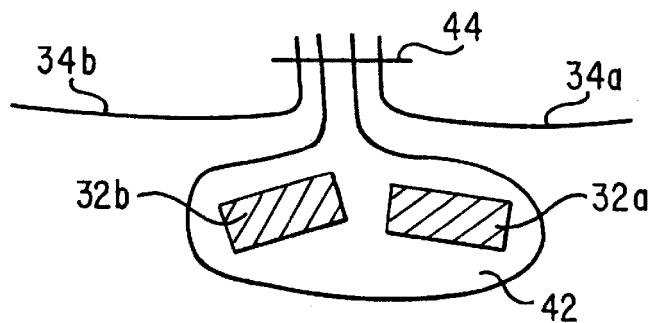


FIG. 4

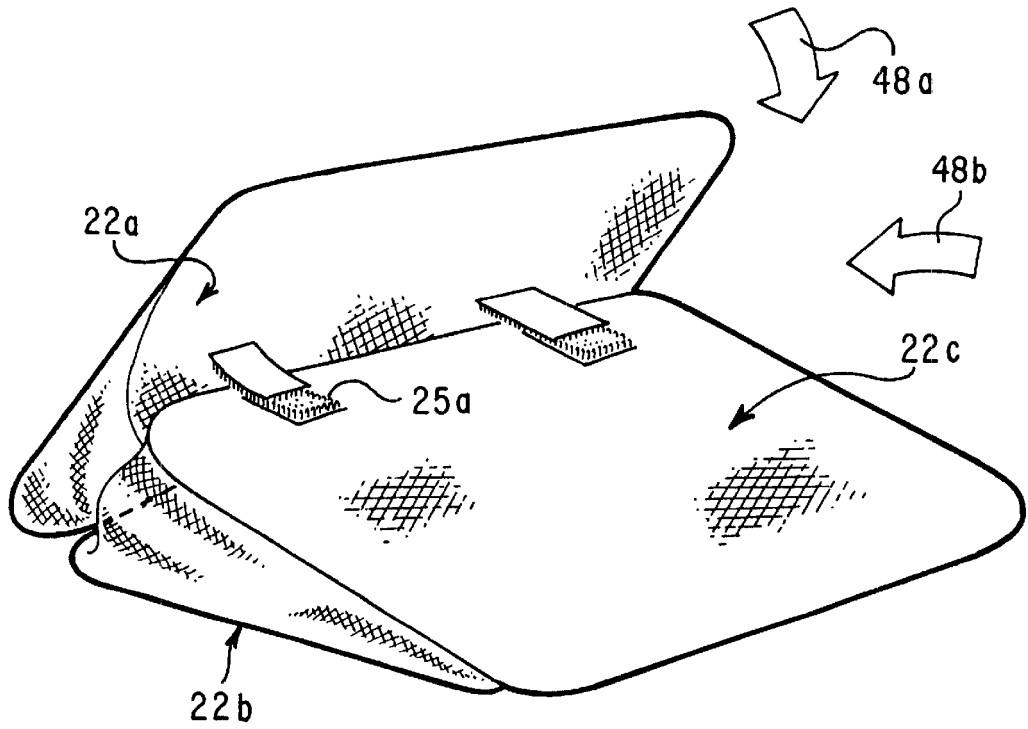


FIG. 5A

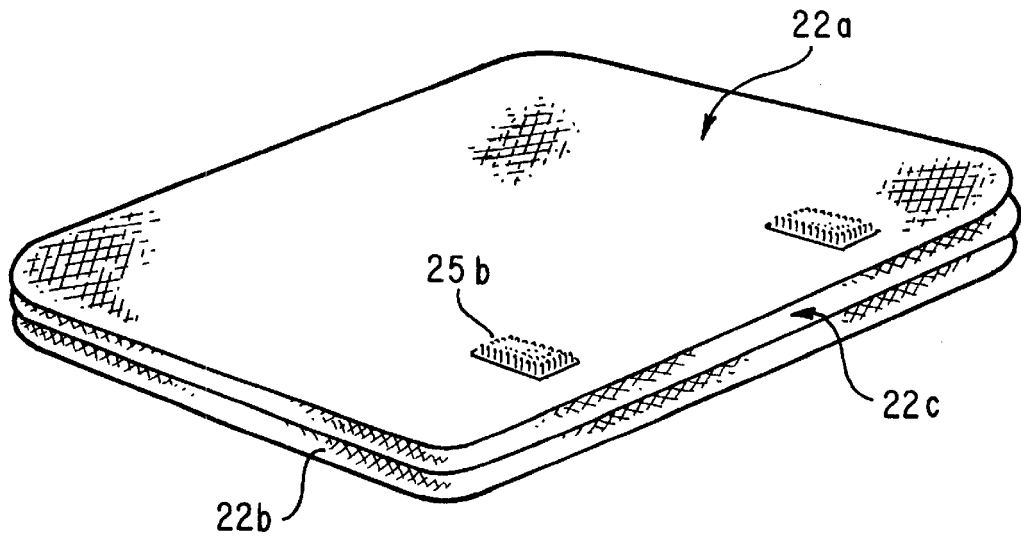


FIG. 5B

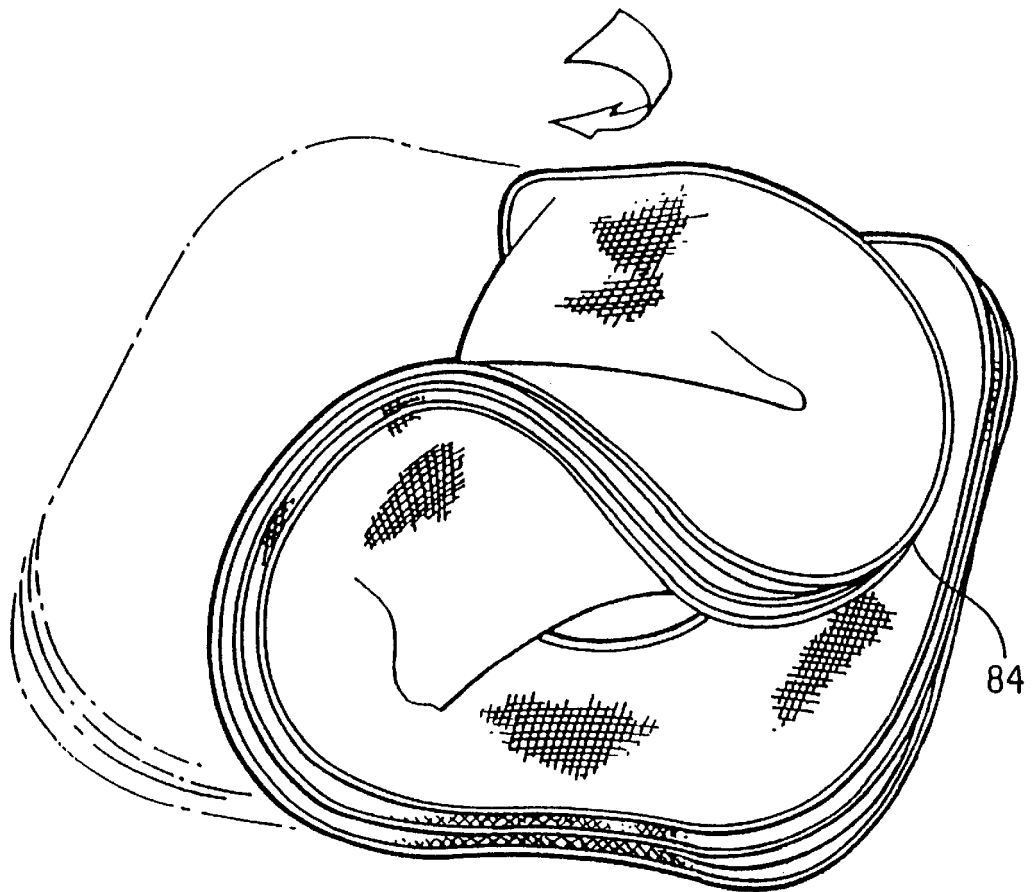
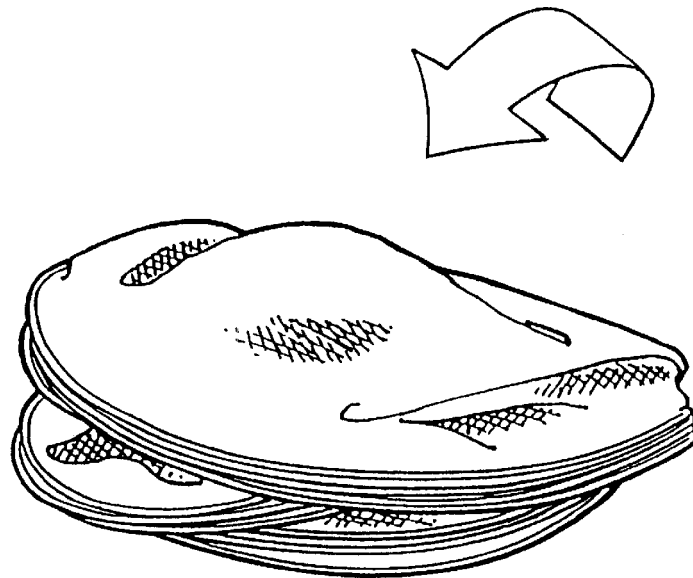
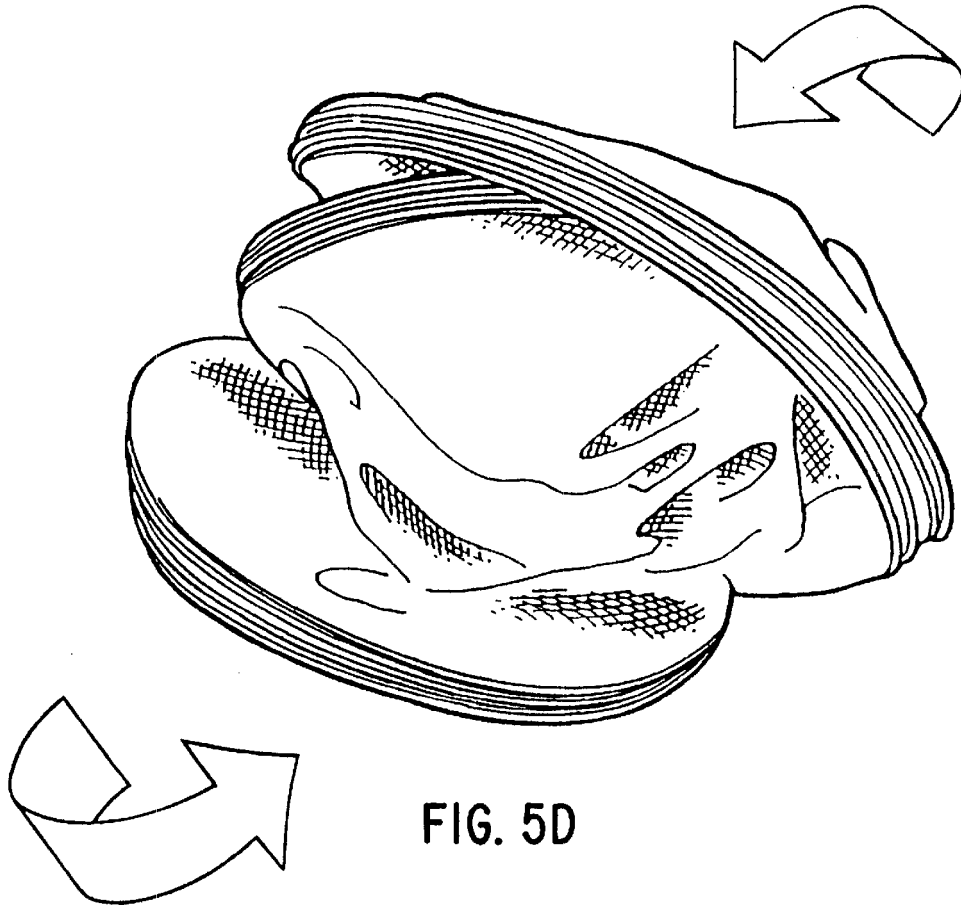


FIG. 5C



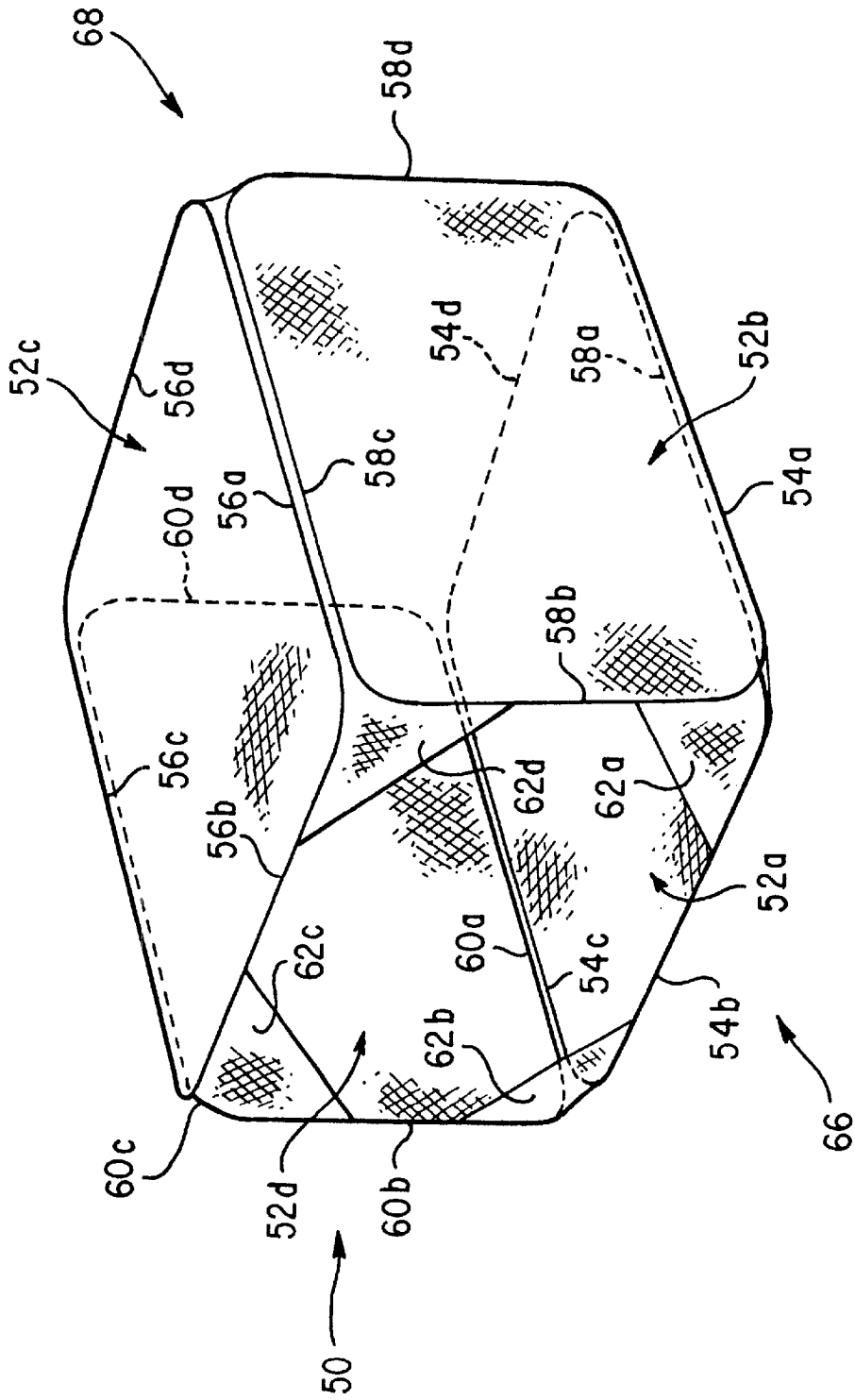


FIG. 6

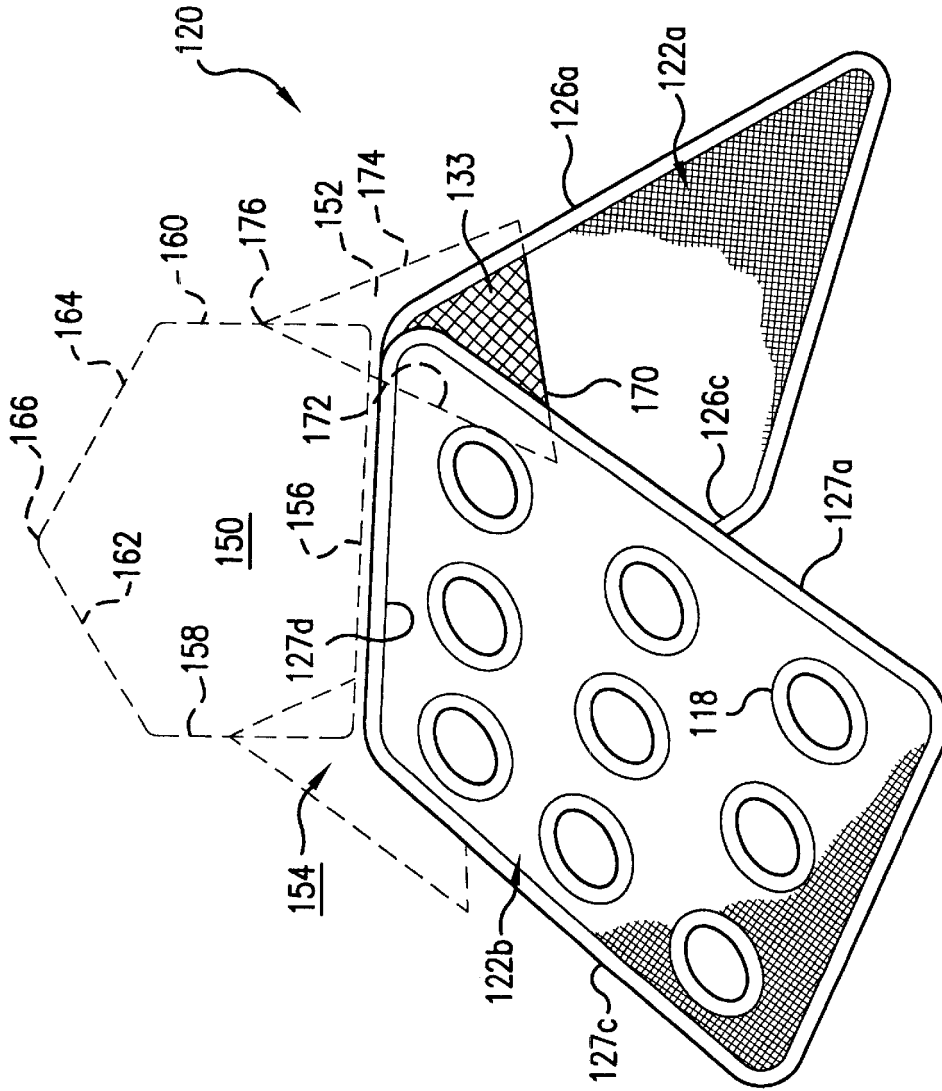


FIG. 8

COLLAPSIBLE STRUCTURES

This is a continuation of application Ser. No. 09/541,211, filed on Apr. 3, 2000 entitled "Collapsible Structures, now U.S. Pat. No. 6,209,557, which is a continuation of Ser. No. 09/059,811, filed on Apr. 14, 1998, entitled "Collapsible Structures", now U.S. Pat. No. 6,155,281, which is a continuation-in-part of Ser. No. 08/773,066, filed Dec. 26, 1996, entitled "Collapsible Structures", now U.S. Pat. No. 5,778,915.

BACKGROUND OF THE INVENTION

1. Field of the Invention

The present invention relates to collapsible structures, and in particular, to collapsible structures which may be provided in a variety of shapes and sizes. The collapsible structures may be twisted and folded to reduce the overall size of the structures to facilitate convenient storage and use.

2. Description of the Prior Art

Collapsible structures have recently become popular with both adults and children. Examples of such structures are shown and described in U.S. Pat. No. 5,038,812 (Norman), U.S. Pat. No. 5,467,794 (Zheng) and U.S. Pat. No. 5,560,385 (Zheng). These structures may be twisted and folded to reduce the overall-size of the structures to facilitate convenient storage and use. As such, these structures are being enjoyed by many people in many different applications.

For example, these structures have been provided in many different shapes and sizes for children's play inside and outside the house. Smaller versions of these structures have been used as infant nurseries. Even smaller versions of these structures have been used as dollhouses and action figure play houses by toddlers and children.

As another example, these structures have been made into tents or outdoor structures that can be used by adults and children for camping or other outdoor purposes. These structures have also been popular as beach cabanas.

Even animals can enjoy these structures. Some of these structures have been made into shelters that can be used by pets, both inside and outside the house.

The wide-ranging uses for these collapsible structures can be attributed to the performance, convenience and variety that these structures provide. When fully expanded, these structures are stable and can be used as a true shelter without the fear of collapse. These structures are easily twisted and folded into a compact configuration to allow the user to conveniently store the structure. The light-weight nature of the materials used to make these structures makes it convenient for them to be moved from one location to another. These structures also provide much variety in use and enjoyment. For example, a child can use a structure both indoors and outdoors for different play purposes, and can use the same structure for camping.

SUMMARY OF THE DISCLOSURE

The present invention provides a collapsible structure which is convenient to use, to transport, and to store, and which offers a wide variety of uses to the user.

In order to accomplish the objects of the present invention, the collapsible structures according to the present invention are provided with first and second wall panels, each wall panel having a foldable frame member having a folded and an unfolded orientation, a frame retaining sleeve for retaining the respective frame member, and a fabric material substantially covering each frame member to form

the panel for each frame member when the frame member is in the unfolded orientation. The fabric assumes the unfolded orientation of its associated frame member. The foldable frame member for each wall panel further includes a top side and a bottom side, with the frame retaining sleeve of the first wall panel stitched along the length of its top side to the frame retaining sleeve along the length of the top side of the second wall panel to form a hinged connection.

According to one embodiment of the present invention, the structure includes a top panel having a first side connected to the top side of the first wall panel, and a second side connected to the top side of the second wall panel. The structure also includes a base panel having separate first and second sides, a foldable frame member having a folded and an unfolded orientation, and a fabric material substantially covering the frame member to form the base panel when the frame member is in the unfolded orientation. The bottom sides of the first and second wall panels are connected to the first and second sides, respectively, of the base panel.

According to another embodiment of the present invention, the structure includes a first top panel having a first side connected to the top side of the first wall panel, and a second top panel having a first side connected to the top side of the second wall panel. The second top panel has a second side connected to a second side of the first top panel. The structure of this embodiment also includes a base panel having separate first and second sides, a foldable frame member having a folded and an unfolded orientation, and a fabric material substantially covering the frame member to form the base panel when the frame member is in the unfolded orientation. The bottom sides of the first and second wall panels are connected to the first and second sides, respectively, of the base panel.

According to another embodiment of the present invention, the structure includes a fabric, support panel, string or strap that interconnects the first sides of the first and second wall panels to define the limits at which the wall panels can spread away from each other.

The collapsible structures according to the present invention are convenient for use since they are easily and quickly folded and collapsed into a smaller size for transportation and storage.

BRIEF DESCRIPTION OF THE DRAWINGS

FIG. 1 is a perspective view of a collapsible structure according to a first preferred embodiment of the present invention shown in use in its expanded configuration;

FIG. 2 is a partial cut-away view of the section A of the structure of FIG. 1 illustrating a frame member retained within a sleeve;

FIGS. 3A-3F and 4 are cross-sectional views of seven different preferred connections between two adjacent panels of the structure of FIG. 1 taken along line 3-3 thereof;

FIGS. 5(A) through 5(E) illustrate how the structure of FIG. 1 may be twisted and folded for compact storage;

FIG. 6 is a perspective view of a collapsible structure according to a second preferred embodiment of the present invention shown in use in its expanded configuration;

FIG. 7 is a perspective view of a collapsible structure according to a third preferred embodiment of the present invention shown in use its expanded configuration; and

FIG. 8 is a perspective view of a collapsible structure according to a fourth preferred embodiment of the present invention shown in use in its expanded configuration.

DETAILED DESCRIPTION OF THE PREFERRED EMBODIMENTS

The following detailed description is of the best presently contemplated modes of carrying out the invention. This

description is not to be taken in a limiting sense, but is made merely for the purpose of illustrating general principles of embodiments of the invention. The scope of the invention is best defined by the appended claims.

A first embodiment of the present invention is illustrated in connection with FIGS. 1 and 2. A collapsible structure 20 has three panels 22a, 22b and 22c, with a base panel 22c hingedly connected to a wall panel 22b, which is in turn hingedly connected to another wall panel 22a to form an enclosed space therewithin.

Each panel 22a, 22b and 22c has four side edges. The base panel 22c has two opposing side edges 23a and 23c, each having opposing ends connected to one of two opposing end edges 23b and 23d. The wall panel 22a has a left side edge 26a, a bottom side edge 26b, a right side edge 26c, and a top side edge 26d, while the wall panel 22b has a left side edge 27a, a bottom side edge 27b, a right side edge 27c, and a top side edge 27d. Each panel 22a, 22b and 22c has a continuous frame retaining sleeve 30a, 30b or 30c provided along and traversing the four edges of its four sides. A continuous frame member 32a, 32b or 32c is retained or held within each frame retaining sleeve 30a, 30b or 30c, respectively, to support each panel 22a, 22b and 22c. Only the frame member 32c is shown in FIG. 2; the other frame members 32a and 32b are not shown but are the same as frame member 32c.

The continuous frame members 32a, 32b and 32c may be provided as one continuous loop, or may be a strip of material connected at both ends to form a continuous loop. The continuous frame members 32a, 32b and 32c are preferably formed of flexible coilable steel, although other materials such as plastics may also be used. The frame members 32a, 32b and 32c should be made of a material which is relatively strong and yet is flexible to a sufficient degree to allow it to be coiled. Thus, each frame member 32a, 32b and 32c is capable of assuming two positions, an open or expanded position such as shown in FIG. 1, or a folded position in which the frame member is collapsed into a size which is much smaller than its open position (see FIG. 5E).

The frame members 32a, 32b and 32c may be merely retained within the respective frame retaining sleeves 30a, 30b and 30c without being connected thereto. Alternatively, the frame retaining sleeves 30a, 30b and 30c may be mechanically fastened, stitched, fused, or glued to the frame members 32a, 32b and 32c, respectively, to retain them in position.

Fabric or sheet material 34 extends across each panel 22a, 22b and 22c, and is held taut by the respective frame members 32a, 32b and 32c when in its open position. The term fabric is to be given its broadest meaning and should be made from strong, lightweight materials and may include woven fabrics, sheet fabrics or even films. The type of fabric used will depend on the intended application. For example, a stronger and more durable fabric will be used if the structure is intended for outdoor use, such as for camping. The fabric should be water-resistant and durable to withstand the wear and tear associated with rugged outdoor use or rough treatment by children.

Referring to FIG. 1, the bottom side edge 27b of wall panel 22b is hingedly connected to side edge 23c of the base panel 22c, and the top side edge 27d of wall panel 22b is hingedly connected to the top side edge 26d of wall panel 22a. The bottom side edge 26b of wall panel 22a is removably connected to the side edge 23a of base panel 22c by a conventional attachment mechanism, such as one or more

pairs of opposing velcro pads 25a and 25b that are provided along edges 23a and 26b, respectively. Other conventional attachment mechanisms, such as but not limited to hooks, fasteners, buttons, snap-fit engagements, loops, snap buckles, zippers and ties, can also be used without departing from the spirit and scope of the present invention.

The two opposing ends 29 and 31 of the structure 20 are provided with a fabric covering. The fabric covering 33 interconnects the left side edges 26a and 27a of the wall panels 22a and 22b, respectively, and a similar fabric covering interconnects the right side edges 26c and 27c of the wall panels 22a and 22b, respectively. A slit 45 is provided in fabric covering 33 and defines two fabric portions 33a and 33b. The bottom edges 47a and 47b of the portions 33a and 33b are not connected to the edge 23d of base panel 22c. Therefore, the slit 45 functions to create an opening to provide ingress and egress to the interior of the structure 20. Velcro pads 46a and 46b are provided on the fabric portions 33a and 33b to secure the portions 33a and 33b together to close the opening.

The words "hingedly connected" or "hinged connection" when used herein means permanently connecting or attaching two adjacent sides of adjacent panels in a manner in which the connection is not intended to be disconnected during normal use of the structure. FIG. 3A illustrates one preferred method for hingedly connecting top side edge 27d of wall panel 22b and the top side edge 26d of wall panel 22a. The fabric pieces 34a (for panel 22a) and 34b (for panel 22b) are folded over at their edges at the edges 26a, 26c, 27a and 27c to define the respective sleeves 30a and 30b in the manner described below in connection with FIG. 2. The fabric pieces 34a and 34b are stitched at their edges by a stitching 36 to the respective sleeves 30a and 30b. Each sleeve 30a and 30b may be formed by folding a piece of fabric and having its ends connected by stitching 36. The stitching 36 also acts as a hinge for the panels 22a and 22b to be folded upon each other, as explained below.

FIG. 3B illustrates a second preferred method for hingedly connecting top side edge 27d of wall panel 22b and the top side edge 26d of wall panel 22a. The fabric piece 34a and its sleeve 30a are stitched by a stitching 36a to one end of an interconnecting fabric piece 37, and the fabric piece 34b and its sleeve 30b are stitched by another stitching 36b to another end of the interconnecting fabric piece 37, which therefore acts as an interconnecting hinge for the panels 22a and 22b.

FIG. 3C illustrates a third preferred method for hingedly connecting top side edge 27d of wall panel 22b and the top side edge 26d of wall panel 22a. The fabric piece 34a and its sleeve 30a are connected by a stitching 36d, and the fabric piece 34b and its sleeve 30b are connected by another stitching 36c. An interconnecting fabric piece 37a is connected to fabric pieces 34a and 34b by stitchings 36f and 36e, respectively, at locations offset interiorly from the sleeves 30a and 30b. The interconnecting fabric piece 37a therefore acts as an interconnecting hinge for the panels 22a and 22b.

FIG. 3D illustrates a fourth preferred method for hingedly connecting top side edge 27d of wall panel 22b and the top side edge 26d of wall panel 22a. The fabric pieces 34a and 34b are connected by stitchings 36h and 36g, respectively, to spaced-apart locations of interconnecting fabric piece 37b. Interconnecting fabric piece 37b is in turn connected, at both its ends by stitching 36i, to sleeves 30a and 30b. Thus, the interconnecting fabric piece 37b acts as an interconnecting hinge for the panels 22a and 22b, and actually connects sleeves 30a, 30b and fabric pieces 34a, 34b.

FIG. 3E illustrates a fifth preferred method for hingedly connecting top side edge 27d of wall panel 22b and the top side edge 26d of wall panel 22a. The frame retaining sleeves 30a and 30b converge at, or are connected to, one sleeve assembly 39 which is connected to the fabric pieces 34a and 34b by stitching 36j. The sleeve assembly 39 has two sleeve compartments 39d and 39e for holding frame members 32a and 32b, respectively. The sleeve compartments 39d and 39e are formed by stitching the opposing ends of three sleeve portions 39a, 39b and 39c through the use of stitchings 36j and 36k. The sleeve portion 39c acts both as a divider and to define the sleeve compartments 39d and 39e. The stitching 36j acts as an interconnecting hinge for the panels 22a and 22b.

FIG. 3F illustrates a sixth preferred method for hingedly connecting top side edge 27d of wall panel 22b and the top side edge 26d of wall panel 22a. The fabric piece 34b is connected by stitching 36i to one end of sleeves 30a and 30b, and the fabric piece 34a is connected by stitching 36m to the opposing end of sleeves 30a and 30b. The sleeves 30a and 30b are formed by stitching the opposing ends of two sleeve portions with the stitchings 36l and 36m. Thus, the stitchings 36l and 36m act as interconnecting hinges for panels 22a and 22b.

FIG. 4 illustrates a seventh preferred method for hingedly connecting top side edge 27d of wall panel 22b and the top side edge 26d of wall panel 22a. However, the frame retaining sleeves 30a and 30b converge at, or are connected to, one sleeve portion which interconnects panels 22a and 22b to form a singular frame retaining sleeve 42 which retains the frame members 32a and 32b. Sleeve 42 may be formed by providing a tubular fabric, or by folding a piece of fabric, and applying a stitching 44 to its edges to connect the sleeve 42 to the fabric pieces 34a and 34b. Stitching 44 acts as an interconnecting hinge for the panels 22a and 22b.

For the embodiments of FIGS. 3A–3F and 4, at the edges 23d, 23b, 26a, 26c, 27a and 27c which are not hingedly connected to another edge, the frame retaining sleeve 30a, 30b or 30c may be formed by merely folding over the corresponding fabric piece and applying a stitching 35 (see FIG. 2). Instead, the fabric portion 33a is connected to edge 27a, and the fabric portion 33b is connected to edge 26a, by stitching the fabric portions 33a and 33b to the frame retaining sleeves 30a or 30b. The fabric covering at the end 31 is likewise attached by stitching the edges of the fabric covering to the frame retaining sleeves 30a and 30b while leaving the bottom edges unconnected. A slit is optional at the end 31.

Although only the connection of the edges 26d and 27d is illustrated in FIGS. 3A–3F and 4, the side edge 23c of base panel 22c and the bottom side edge 27b of wall panel 22b may be hingedly connected by using one of the methods described above, or by a combination of any of these methods.

It will also be appreciated by those skilled in the art that the removable connections achieved by the attachment mechanisms described above can also act as hinges between adjacent side edges of adjacent panels. The difference between the removable connections and the hinge connections is that the removable connections can be detached without destroying the ability of re-attaching the connection using the same attachment mechanism.

Openings (not shown) may be provided in some or all of the panels 22a, 22b and 22c. These openings may be of any shape (e.g., triangular, circular, rectangular, square, diamond, etc.) and size and are designed and dimensioned to allow the user to crawl through them to enter or to exit the structure 20.

To assemble the structure 20 of FIG. 2 to the fully deployed configuration shown in FIG. 1, the user first rests all three panels 22a, 22b and 22c on the ground or surface. Using the panel 22c as a base, the user folds the wall panel 22b upwardly about its hinge connection (between side edges 23c and 27b) with the base panel 22c and then wraps or folds the wall panel 22a about its hinge connection (between side edges 26d and 27d) with wall panel 22b so that bottom side edge 26b of wall panel 22a is adjacent side edge 23a of base panel 22c. The user manually connects the side edges 26b and 23a by connecting the attachment mechanism, such as the opposing velcro pads 25a and 25b.

FIGS. 5A through 5E describe the steps for disassembling and collapsing the structure 20 into a compact configuration for storage. In the first step, the user detaches the attachment mechanism between side edges 26b and 23a. The three panels 22a, 22b and 22c are then laid flat on the ground. As illustrated in FIG. 5A, panel 22c is folded about its hinge connection between edges 23c and 27b so that panel 22c is folded onto and overlies the panel 22b, as indicated by the arrow 48b. Panel 22a is then folded about its hinge connection between edges 26d and 27d so that panel 22a is folded onto and overlies the panel 22c, as indicated by the arrow 48a, so that the three panels 22a, 22b and 22c now rest one on top of the other in a stack (see FIG. 5B). The structure is then ready to be twisted and folded to collapse the frame members and panels into a smaller shape.

In the second step shown in FIG. 5C, the opposite border 84 of the structure 20 is folded in upon the previous fold to further collapse the frame members with the panels. As shown in FIG. 5D, the third step is to continue the collapsing so that the initial size of the structure is reduced. FIG. 5E shows the fourth step with the frame members and panels collapsed on each other to provide for a small essentially compact configuration having a plurality of concentric frame members and fabric layers of the panels so that the collapsed structure has a size which is a fraction of the size of the initial structure. During the folding and collapsing steps of FIGS. 5A–5E, the fabric coverings, such as 33, are tucked between the panels and folded and collapsed together with the panels.

A second preferred embodiment of the present invention is shown in FIG. 6. The structure 50 has four panels, a base panel 52a, wall panels 52b and 52d, and a top panel 52c hingedly connected to each other to encircle an enclosed space. Each panel 52a, 52b, 52c and 52d has four sides. Specifically, the base panel 52a has two side edges 54a and 54c, and two end edges 54b and 54d. The top panel 52c likewise has two side edges 56a and 56c, and two end edges 56b and 56d. The wall panel 52b has a bottom edge 58a, a left edge 58b, a top edge 58c and a right edge 58d. Similarly, the wall panel 52d has a bottom edge 60a, a left edge 60b, a top edge 60c and a right edge 60d. The structure of each panel 52a, 52b, 52c and 52d, including their fabric, frame members and sleeve portions, is the same as the panels 22a, 22b and 22c of the play structure 20, except that the shapes and sizes of the panels 52 may be different from the shapes and sizes of the panels 22.

Opposing side edges 54a and 54c of base panel 52a are hingedly connected to bottom edges 58a and 60a of wall panels 52b and 52d, respectively. Opposing side edges 56a and 56c of top panel 52c are hingedly connected to top edges 58c and 60c of wall panels 52b and 52d, respectively. The hinged connections of the side edges of the structure 50 may be accomplished by the hinge connection mechanisms described above for the structure 20.

Triangular fabric pieces 62a, 62b, 62c and 62d are stitched or otherwise connected to each of the four corners

at opposite ends **66** and **68** of the structure **50**. For example, fabric piece **62a** is connected to the corner defined by the left edge **58b** of wall panel **52b** and end edge **54b** of base panel **52a**. Fabric piece **62b** is connected to the corner defined by the left edge **60b** of wall panel **52d** and end edge **54b** of base panel **52a**. Fabric piece **62c** is connected to the corner defined by the left edge **60b** of wall panel **52d** and end edge **56b** of top panel **52c**. Fabric piece **62d** is connected to the corner defined by the left edge **58b** of wall panel **52b** and end edge **56b** of top panel **52c**. Therefore, the end **66** of structure **50** is substantially open. Similar fabric pieces may be provided at the opposite end **68** of the structure **50**, or that end **68** may be completely closed off by stitching a piece of fabric to the edges **54d**, **56d**, **58d** and **60d**.

Alternatively, pieces of fabric acting as wall pieces can be attached to both ends **66** and **68** to close off both ends, with openings or slits provided in one or both of these fabric wall pieces, or in one or more of the panels **52a**, **52b**, **52c** and **52d**, to provide ingress and egress.

The structure **50** is preferably provided in the configuration shown in FIG. 6. To fold and collapse the structure **50** into a compact configuration for storage or transportation, panels **52b** and **52c** are pushed against panels **52a** and **52d**, respectively, about their hinged connections so that panels **52b** and **52c** rest against or overlie panels **52a** and **52d**, respectively. This folding action is facilitated by the hinge connections between adjacent side edges of adjacent panels. Two of the overlying panels **52b** and **52a**, or **52c** and **52d**, are then folded about their hinge connections onto the other two overlying panels, so that the four panels **52a**, **52b**, **52c** and **52d** overlie each other in a stack. The combined stack of panels are then twisted and folded in the manner described above in connection with FIGS. 5A–5E to collapse the structure **50** into a compact configuration.

A third preferred embodiment of the present invention is shown in FIG. 7. A structure **70** has five panels: a base panel **72a**, wall panels **72b** and **72e**, and top panels **72c** and **72d** connected to each other to encircle an enclosed space. Each panel **72a**, **72b**, **72c**, **72d** and **72e** has four sides. Specifically, the base panel **72a** has two side edges **74a** and **74c**, and two end edges **74b** and **74d**. The top panels **72c** and **72d** likewise have two side edges **76a**, **76c** and **78a**, **78c**, respectively, and two end edges **76b**, **76d** and **78b**, **78d**, respectively. The wall panel **72b** has a bottom edge **80a**, a left edge **80b**, a top edge **80c** and a right edge **80d**. Similarly, the wall panel **72e** has a bottom edge **82a**, a left edge **82b**, a top edge **82c** and a right edge **82d**. The structure of each panel **72a**, **72b**, **72c**, **72d** and **72e**, including their fabric, frame members and sleeve portions, is the same as the panels **22a**, **22b** and **22c** of the play structure **20**, except that the shapes and sizes of the panels **72** may be different from the shapes and sizes of the panels **22**.

Opposing side edges **74a** and **74c** of base panel **72a** are hingedly connected to bottom edges **80a** and **82a** of wall panels **72b** and **72e**, respectively. Top edge **82c** of wall panel **72e** is hingedly connected to side edge **78a** of top panel **72d**. Side edge **78c** of top panel **72d** is hingedly connected to side edge **76c** of top panel **72c**. The hinged connections of the side edges of the structure **70** may also be accomplished by the hinge connection mechanisms described above for the structure **20**.

Top edge **80c** of wall panel **72b** is removably connected to side edge **76a** of top panel **72c** by any of the attachment mechanisms described above. In FIG. 7, opposing Velcro pads **86** are provided for removably connecting edges **80c** and **76a**.

Although FIG. 7 illustrates that top edge **80c** of wall panel **72b** is removably connected to side edge **76a** of top panel **72c**, it is also possible to provide the removable connection between any two adjacent side edges of any of the panels **72a**, **72b**, **72c**, **72d** and **72e**, with the other adjacent side edges hingedly connected to each other.

The opposite ends **88** and **90** of the structure **70** may be left open, or may be completely or partially covered with fabric wall pieces or triangular fabric corner pieces as described above for structure **50**. Openings or slits may also be provided at one or more of the panels or fabric wall pieces.

The structure **70** is illustrated in the fully deployed configuration in FIG. 7. To fold and collapse the structure **70** into a compact configuration for storage or transportation, the user detaches the attachment mechanism between side edges **80c** and **76a**. The panels are then folded over each other about their hinge connections so that they form a stack of five overlying panels. The combined stack of panels are then twisted and folded in the manner described above in connection with FIGS. 5A–5E to collapse the structure **70** into a compact configuration.

A fourth preferred embodiment of the present invention is shown in FIG. 8 in the form of structure **120**, which is similar to structure **20** of FIG. 1 except that a base panel has been omitted. In particular, structure **120** has two panels **122a** and **122b**, which can have the same structure, sizes and shapes as panels **22a** and **22b**, and which are hingedly connected to each other in the same manner as panels **22a** and **22b** to form an enclosed space therewithin. Openings **118** can be provided in one or both panels **122a** and/or **122b** through which a ball or other object can be tossed. The object would pass through an opening **118** and come to rest in the enclosed space under the panels **122a**, **122b**, where it can be retrieved.

A fabric piece **133** can be stitched or otherwise attached between the panels **122a**, **122b** along side edges **126a** and **127a**, respectively, below the hinged connection. Alternatively, a strap or durable string can be connected between side edges **126a** and **127a** to perform the same function. This piece **133** (or strap or string) defines the limits at which the panels **122a**, **122b** can spread apart from each other when deployed in the upstanding configuration shown in FIG. 8. Another fabric piece (not shown) can also be stitched or otherwise attached between the panels **122a**, **122b** along the other side edges **126c** and **127c**, respectively, below the hinged connection to perform the same function. The fabric pieces **133** can be a short piece spanning a short distance along the side edges **126a**, **127a** and **126c**, **127a**, as shown in FIG. 8, or the fabric pieces **133** can extend all the way along these side edges to form fabric walls, such as those illustrated in FIG. 1. Slits can be provided in these fabric walls to provide ingress and egress, as described above.

The structure **120** can be disassembled and collapsed into a compact configuration for storage by first folding one panel **122a** or **122b** onto the other panel **122b** or **122a** about their hinge connection at their top edges **126d** and **127d**, and then twisting and folding the combined panels **122a**, **122b** according to the steps illustrated in connection with FIGS. 5B–5E. The fabric pieces **133** can be tucked between the panels **122a**, **122b** and twisted and folded together with the panels **122a**, **122b**.

As an alternative, the structure **120** can be modified to include three additional panels, which are shown in phantom in FIG. 8. In particular, a central panel **150** and two support

panels **152** and **154** can be added. Each of these panels **150**, **152**, **154** include a resilient loop member and a fabric that spans the boundary of the loop member, as described above for the other panels. The central panel **150** can be configured with five sides, including a bottom side **156**, a left side **158** and a right side **160** extending from opposite ends of the bottom side **156**, a left angled upper side **162** extending from the top of the left side **158**, and a right angled upper side **164** extending from the top of the right side **160** and connecting the left angled upper side **162** at an apex **166**. In addition, support panels **152** and **154** may be identical in size and shape, and each includes, as a non-limiting example, a bottom side **170**, a left diagonal side **172** and a right diagonal side **174** extending from opposite ends of the bottom side **170** and connecting at an apex **176**. Support panels **154** and **152** are disengageably connected to the left and right sides **158** and **160**, respectively, of the central panel **150** to hold and support the central panel **150** in a vertical, upright position during use. Each support panel **154**, **152** is disengageably connected to the left and right sides **158**, **160**, respectively, at the apex **176** and/or along a central line running down the middle of the support panel **152**, **154**, as shown in phantom in FIG. **8**. The central panel **150** can be connected to the top edges **126d** (not shown) and **127d** of the panels **122a** and **122b**, respectively, by either a hinged connection or a removable connection.

The disengageable connection of the support panels **152**, **154** to central panel **150** can be accomplished in a number of ways. For example, a plurality of loops can be stitched or otherwise provided along the left and right sides **158**, **160**, and a plurality of toggles provided along the fabric, sides and/or apices of the support panels **152**, **154**, so that the connection can be achieved by slipping selected toggles through selected loops. As an alternative, tie members in the form of a strap or a strip of fabric can be provided on all the panels **150**, **152**, **154** and the opposing tie members tied together at selected locations to connect the panels **150**, **152**, **154**. Those skilled in the art will appreciate that other disengageable connection methods, such as but not limited to opposing Velcro pads, hooks, snaps and detachable zippers, can be used without departing from the spirit and scope of the present invention.

The support panels **152**, **154** can also be provided in lieu of the fabric pieces **133**, since the support panels **152**, **154** can also perform the same function of defining the limits at which the panels **122a**, **122b** can spread apart from each other when deployed in the upstanding configuration. When so configured, the central panel **150** can be omitted, and the support panels **152**, **154** can be disengageably connected to the panels **122a**, **122b** using any of the techniques described above for disengageably connecting the support panels **152**, **154** to the central panel **150**. Thus, the structure **120** can be provided in a variety of different configurations: with or with the support panels **152** and **154**, and with or without the central panel **150**. The central panel **150** can be provided to support a basket (not shown) through which a ball can be tossed. Alternatively, one or more openings (not shown) can be provided in the central panel **150** through which an object can be tossed.

The structure **120** may be disassembled from the configuration shown in FIG. **8** by removing the disengageable connections between the central panel **150** and the support panels **152**, **154**. The central panel **150** can then be removed from the panels **122a**, **122b** (if connected by a removable connection), or folded upon either panel **122a** or **122b** (if connected by a hinged connection). The panels **122a** and **122b** can then be folded onto each other, and the other panels

152, **154** (and possibly **150**) placed one on top of the other to form a stack of panels that can be twisted and folded in the manner described above to collapse the panels into a smaller shape. To reassemble or deploy the structure **120**, the panels **122a**, **122b**, **150**, **152**, **154** are opened to their expanded configurations and the various removable and disengageable connections are made to provide the structure **120**.

Play structures **20**, **50**, **70** and **120** are examples of simple structures that can be provided according to the present invention. However, it will be appreciated by those skilled in the art that structures having different and more complex configurations can also be provided according to the principles of the present invention. As a non-limiting example, structures having a larger number of panels and possible configurations can be provided. As another non-limiting example, while the panels of the structures according to the present invention are shown and described as having four sides, it is possible for each panel to have three or more sides. It is also possible to provide structures with a plurality of panels, each having a different number of sides. Thus, the structures of the present invention may take a variety of external shapes and sizes. However, each panel of the structure, regardless of its shape and size, is preferably supported by one continuous frame member.

In addition, although certain connections for the structures **20**, **50**, **70** and **120** are described as being hinged connections, it is possible to provide the connection between any pair of adjacent side edges of the panels as a removable connection instead of the hinged connection. Therefore, while structures **20**, **70** and **120** are described as requiring at least one removable connection, it is possible to provide one or more of the hinged connections as removable connections. Also, although structures **20** and **70** are illustrated as having removable connections at certain specific side edges, it is understood that the removable connection can be provided at any adjacent side edges between two adjacent panels.

Similarly, while structure **50** is described as having four hinged connections and no removable connections, it is possible to provide one or more of the hinged connections as removable connections. The removable connections can be achieved by the attachment mechanisms described above. To fold and collapse a structure having panels connected by removable connections, the user merely removes these connections, and then folds and/or places the panels one on top of the other so that the panels of the structure overlie one another to form one stack of panels. The combined stack of panels are then twisted and folded in the manner described above in connection with FIGS. **5A-5E** to collapse the structure into a compact configuration.

Thus, the structures according to the present invention may be provided in a variety of configurations in which the number of panels and the shape and size of the panels may be varied. The structures according to the present invention can be easily deployed and disassembled, and are easy to fold and collapse into a compact configuration for convenient storage or transportation.

While the description above refers to particular embodiments of the present invention, it will be understood that many modifications may be made without departing from the spirit thereof. The accompanying claims are intended to cover such modifications as would fall within the true scope and spirit of the present invention.

What is claimed is:

1. A collapsible structure having a deployed configuration and a collapsed configuration, comprising:

11

a side member and a base member, each member including a portion of a foldable frame member that has a folded and an unfolded orientation, and a fabric material covering at least a portion of its frame member when the frame member is in the unfolded orientation; 5
and
the side member having a bottom side, and the base member having a first side, with the side member and the base member connected to each other adjacent the bottom side of the side member and the first side of the base member; and 10
a first frame retaining sleeve for retaining the portion of the frame member for the side member, and a second frame retaining sleeve for retaining the portion of the frame member for the base member, with the first frame retaining sleeve stitched along the bottom side of the 15

12

side member to the second frame retaining sleeve along the first side of the base member to form a hinged connection.
2. The structure of claim 1, wherein the side member and the base member are placed on top of each other when the structure is twisted and folded to its collapsed configuration.
3. The structure of claim 1, further including means for interconnecting the bottom side of the side member and the first side of the base member.
4. The structure of claim 1, wherein the side member lies in a first uninterrupted plane and the base member lies in a second uninterrupted plane, with the first and second planes extending at different angles.

* * * * *